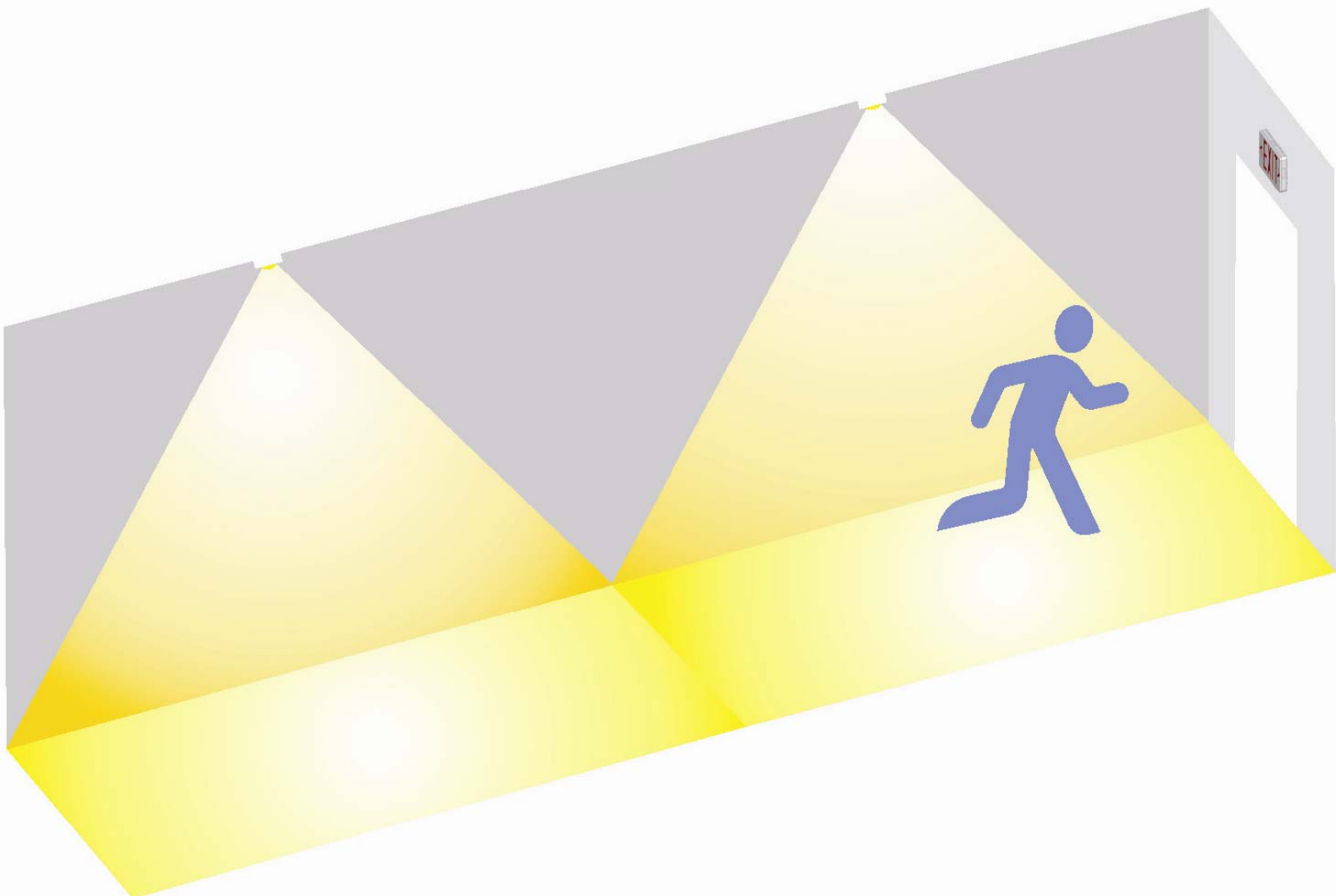


# SPECIFICATION SHEET FOR LED EMERGENCY LIGHT

## EXL-660L Series



Je Woo Corporation, Ltd.  
Dong Sheng Industrial Park, Dong Sheng Village, Chen Jiang  
Subdistrict office, Zhong Kai High-Tech Development Zone, Hui  
Zhou City, Guang Dong, P.R.C.  
Tel: 86-752-312-5585  
Fax: 86-752-312-5586 / 5587

## Table Of Content

Revision History -----	1
Product Photo -----	2
Product Dimension-----	2
Product Feature-----	2
Order Guide-----	2
Model List and Parameter-----	3
Photometric-----	4
Packaging -----	5
Certificate -----	6

## Revision History

Revised Symbol	Revised Description	Version	Revised By	Revised Date
	New create	E.0	Harris Chen	2013.8.28
	Update electrical parameter chart	E.1	Harris Chen	2016.1.13

Product Photo

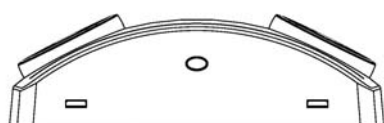
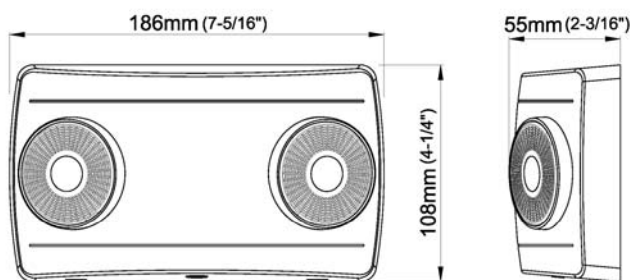


General lens



Narrow lens

Product Dimension



Order Guide

Family	Lens	Lumen Output & Remote Capability	Test Facility	Housing Color	Voltage
EXL-660L	W: General lens	Blank: Standard lumen output, w/o remote capability 2RC: Standard lumen output, With 3.6V2W remote capability 4RC: Standard lumen output, With 3.6V3W remote capability	Blank: Manual test	W: White	1: 120/277V
	N: Narrow lens	HO: High lumen output, w/o remote capability HO2RC: High lumen output, With 3.6V2W remote capability	CT: Self- diagnostics	B: Black	3: 220-240V <sup>(1)</sup>

Note:  
(1) 220-240V model without UL certificate.

Product Feature

Housing

- Injection-molded thermoplastic ABS housing.
- Plastic enclosure with 5VA flame retardant.
- Quick connector design for easy installation.
- Two fully adjustable glare-free square shape light heads for emergency light.

Electrical

- AC 120/277V 60Hz dual voltage operation.
- Test switch and charge rate indicator.
- 3.6V long-life, maintenance-free, rechargeable Ni-Cad or Ni-Mh battery.  
24 or 48 hours recharge after 90 minutes discharge.

Illumination

- SMD high power LED, CCT 6000K, L70 35,000 hours.
- 1 watts high power LED per head for standard model, fixture provide 150lm on initial discharge.
- 2 watts high power per head for high lumen model, fixture provide 250lm on initial discharge.

Mounting

- Suitable for wall mount and ceiling mount.
- Top and side knockout for conduit applications.

Options

- CT option with self-testing and self-diagnostics.
- RC option with remote capability.
- Multi voltage option with 220-240VAC 50Hz input.

Warranty/Listing

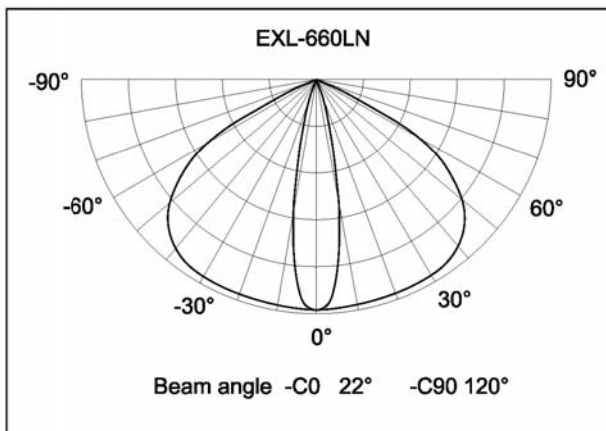
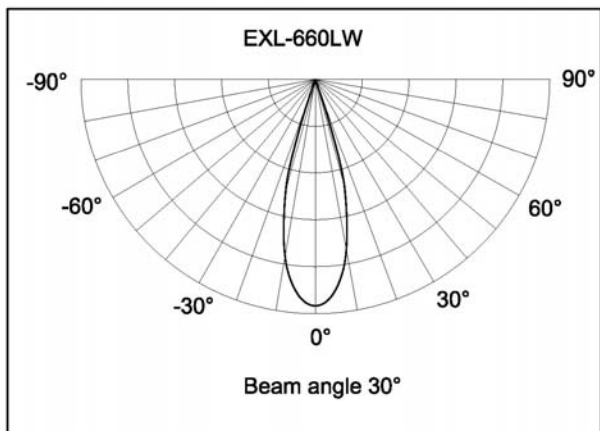
- Warranty 3 years for unit, lifetime of battery has 500 recycle times.
- Suitable for use in 10°C-40°C ambient temperature, suitable for damp location.
- UL and cUL listed and meets or exceed all requirement in NFPA 70, NFPA 101 life safety code, suitable for U.S.A and Canada market.

## Model List and Parameters

No.	Model	Test Facility	Battery	Recharge Time	Emergency Duration	Input			Output		
						Voltage	Hz	Power Consumption (maintenance mode)	Lamp Head	Luminous Flux	Remote Capability
1	EXL-660LW(N)	Manual test	Ni-cad 3.6V900mAh	24 hours	90 minutes	120/277	60	0.6/0.78W	1W *2pcs	150 lm	N/A
2	EXL-660LW(N)-2RC	Manual test	Ni-cad 3.6V900mAh 2pcs	48 hours	90 minutes	120/277	60	0.38/0.48W	1W *2pcs	150 lm	3.6V 2W
3	EXL-660LW(N)-4RC	Manual test	Ni-Mh 3.6V1500mAh 2pcs	48 hours	90 minutes	120/277	60	0.38/0.48W	1W *2pcs	150 lm	3.6V 3W
4	EXL-660LW(N)-HO	Manual test	Ni-cad 3.6V900mAh 2pcs	48 hours	90 minutes	120/277	60	0.38/0.48W	2W *2pcs	250 lm	N/A
5	EXL-660LW(N)-HO2RC	Manual test	Ni-Mh 3.6V1500mAh 2pcs	48 hours	90 minutes	120/277	60	0.6/0.78W	2W *2pcs	250 lm	3.6V 2W
6	EXL-660LW(N)-CT	Self- diagnostics Self-testing	Ni-cad 3.6V900mAh	24 hours	90 minutes	120/277	60	0.95/1.2W	1W *2pcs	150 lm	N/A
7	EXL-660LW(N)-2RC-CT	Self- diagnostics Self-testing	Ni-cad 3.6V900mAh 2pcs	48 hours	90 minutes	120/277	60	0.95/1.2W	1W *2pcs	150 lm	3.6V 2W
8	EXL-660LW(N)-4RC-CT	Self- diagnostics Self-testing	Ni-Mh 3.6V1500mAh 2pcs	48 hours	90 minutes	120/277	60	0.95/1.2W	1W *2pcs	150 lm	3.6V 3W
9	EXL-660LW(N)-HO-CT	Self- diagnostics Self-testing	Ni-cad 3.6V900mAh 2pcs	48 hours	90 minutes	120/277	60	0.95/1.2W	2W *2pcs	250 lm	N/A
10	EXL-660LW(N)-HO2RC-CT	Self- diagnostics Self-testing	Ni-Mh 3.6V1500mAh 2pcs	48 hours	90 minutes	120/277	60	0.95/1.2W	2W *2pcs	250 lm	3.6V 2W

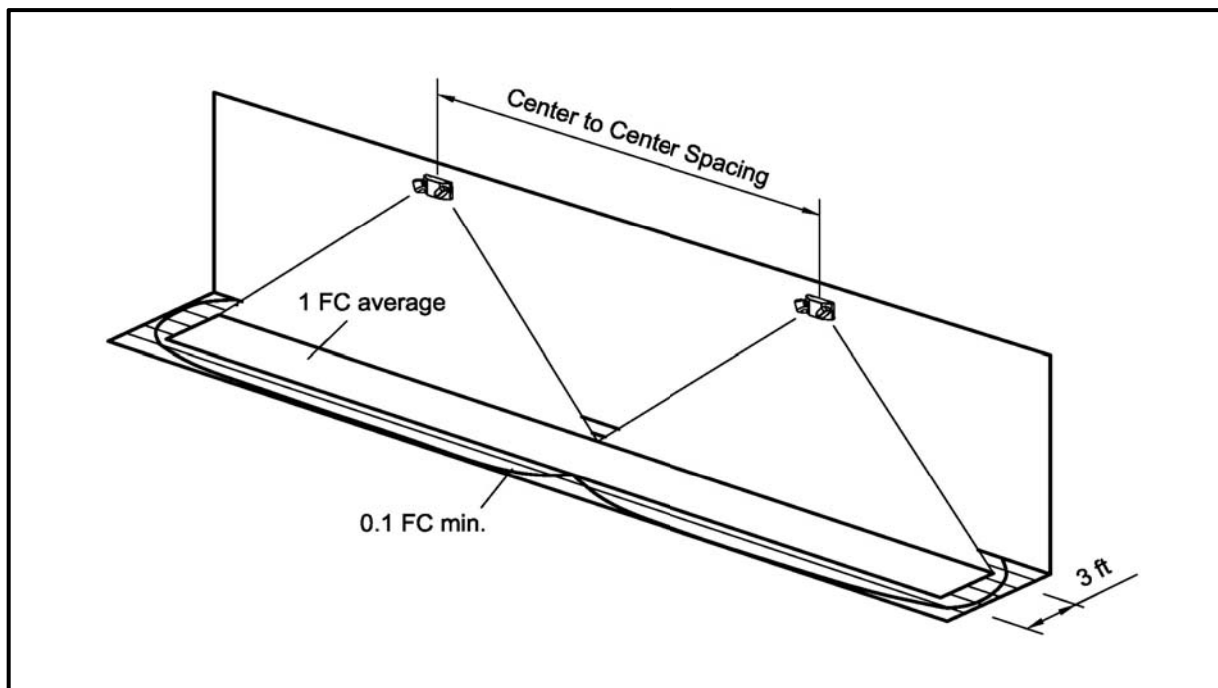
## Photometric

### Luminous intensity distribution (single head)



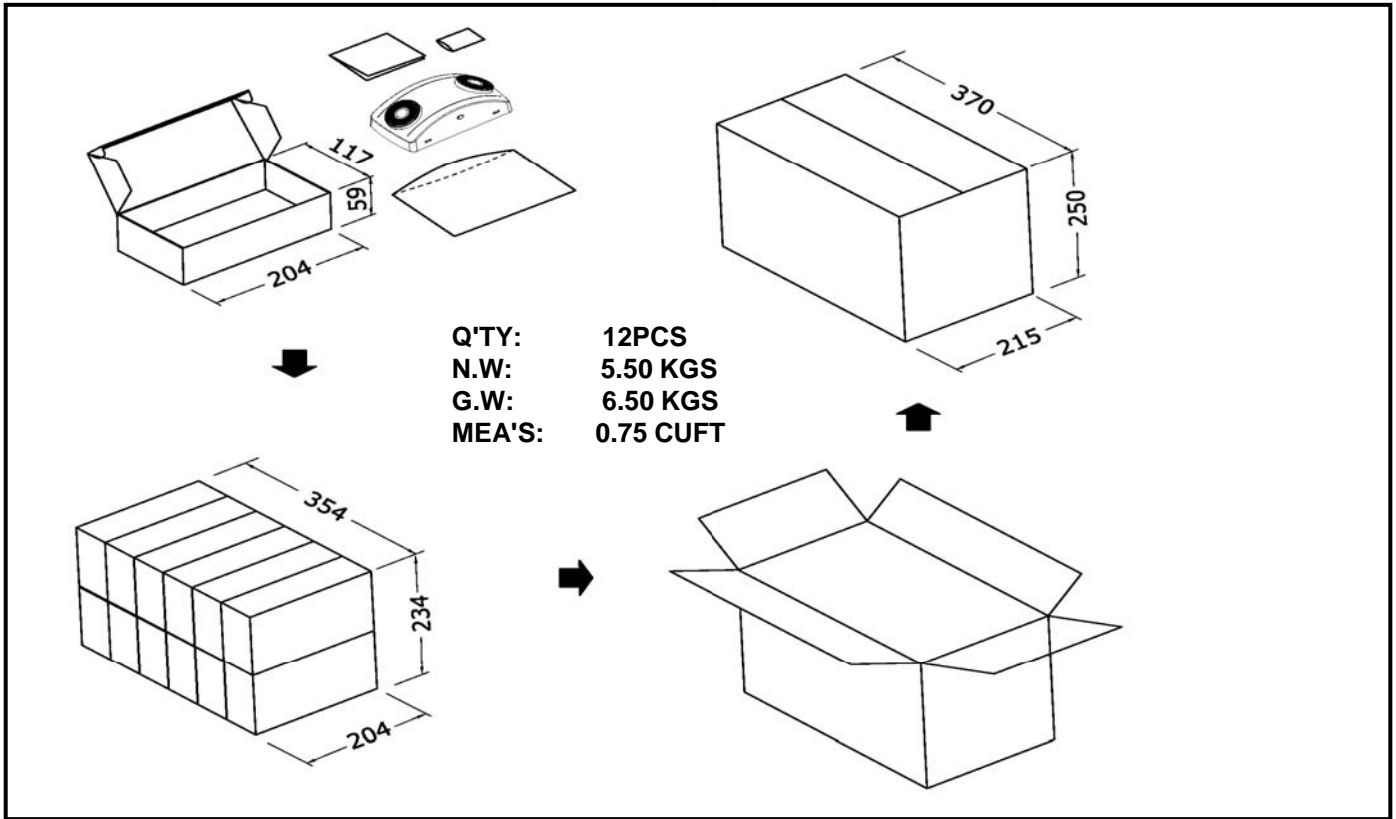
### Center to Center Spacing

NFPA 101 requires 1.0 foot-candle average and 0.1 foot-candle minimum with a 40:1 maximum/minimum ratio. The corridor used is 100 feet long, 9 feet ceiling with a 6 feet wide walkway and 3 feet path of egress. The reflectance are 80% ceiling, 50% walls and 20% floors. The fixture mounting height is 7.5 feet.



No.	Model	Center to Center Spacing	Lumen output
1	EXL-660LW	16 feet	150 lm
2	EXL-660LW-HO	24 feet	250 lm
3	EXL-660LN	16 feet	150 lm
4	EXL-660LN-HO	30 feet	250 lm

## Packaging



## Certificate

# CERTIFICATE OF COMPLIANCE

**Certificate Number** 20140128-E181611  
**Report Reference** E181611-20140113  
**Issue Date** 2014-JANUARY-28

**Issued to:** JE WOO CORP LTD  
 DONG SHENG INDUSTRIAL PARK  
 DONG SHENG VLG  
 CHEN JIANG TOWN HUI CHENG ZONE  
 HUIZHOU GUANGDONG 516229 CHINA

**This is to certify that representative samples of** EMERGENCY LIGHTING AND POWER EQUIPMENT  
 See Addendum for Models

Have been investigated by UL in accordance with the Standard(s) indicated on this Certificate.

**Standard(s) for Safety:** UL 924 – Emergency Lighting and Power Equipment  
 CAN/CSA-C22.2 No. 141-10 – Unit Equipment for  
 Emergency Lighting

**Additional Information:** See the UL Online Certifications Directory at  
[www.ul.com/database](http://www.ul.com/database) for additional information

Only those products bearing the UL Listing Mark for the US and Canada should be considered as being covered by UL's Listing and Follow-Up Service meeting the appropriate requirements for US and Canada.

The UL Listing Mark for the US and Canada generally includes: the UL in a circle symbol with "C" and "US" identifiers; the word "LISTED"; a control number (may be alphanumeric) assigned by UL; and the product category name (product identifier) as indicated in the appropriate UL Directory.

Look for the UL Listing Mark on the product.



William R. Carney, Director, North American Certification Programs  
 UL LLC

Any information and documentation involving UL Mark services are provided on behalf of UL LLC (UL) or any authorized licensee of UL. For questions, please contact a local UL Customer Service Representative at [www.ul.com/contactus](http://www.ul.com/contactus)





## Certificate

**CERTIFICATE OF COMPLIANCE**

**Certificate Number** 20140128-E181611  
**Report Reference** E181611-20140113  
**Issue Date** 2014-JANUARY-28

This is to certify that representative samples of the product as specified on this certificate were tested according to the current UL requirements.

Exit Light, Model EXL-660L series, followed by W or N, may be followed by -2RC, -4RC, -HO or -HO2RC, may be followed by -CT, may be followed by -W or -B, may be followed by -1; may be provided with additional prefixes or suffixes for commercial purposes.



William R. Carney, Director, North American Certification Programs  
UL LLC

Any information and documentation involving UL Mark services are provided on behalf of UL LLC (UL) or any authorized licensee of UL. For questions, please contact a local UL Customer Service Representative at [www.ul.com/contactus](http://www.ul.com/contactus)

