



FICHA TÉCNICA

Producto: **Secador de mano de aire automático**

DESCRIPCIÓN: Secador de mano de aire automático de acero inoxidable 304 para baños públicos con un voltaje de 110V - 60Hz y una potencia nominal de 1800W. Funciona con un filamento de resistencia que calienta el aire. Con un sensor que detecta las manos a una distancia entre 12 ± 3 cm. Tiempo de funcionamiento de 60 s continuo o 2 s luego de quitar las manos. Certificado de resistencia al agua IPX1. Temperatura de aire de salida a 55°C

CÓDIGO: BAM019

Marca: Carbone Hardware

Voltaje: 110V~60Hz

Potencia Nominal: 1800 W

Potencia: 600 W

Método de Calefacción: Filamento de Resistencia

Velocidad de aire: 90 m/s

Tiempo de Secado: 7 - 12 s

Distancia de Detección Sensor: 12 ± 3 cm

Tiempo de Funcionamiento: 60 s si el trabajo es continuo

2 s luego de quitar las manos.

Medidas: 320 x 290 x 170 mm

Temperatura del aire: 55°C

Certificación Resistencia de Agua: IPX1

Material: Acero Inoxidable 30

Peso: 5.1 Kg.

Procedencia: Importado

Warning

- 1.It is forbidden to use your hands or other matter to block up the spout, or use extension matter like iron wire to insert the in the spout.
- 2.It is forbidden to use your hands or other matter to block up the spout, or use extension matter like iron wire to insert the in the spout.
- 3.Do not decompose, repair or any alteration of this machine without authorization, or put burning cigarette on the body, otherwise there is a risk of electric shock, fire and other accidents.
- 4.If the power software cord is damaged, it should be replaced with specialized software or buy components from factories or dedicated maintenance.

Maintenance

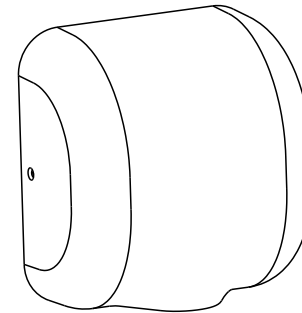
- 1, Please cut off the power and clean the shell with natural detergent when it is dirty. The acid and alkaline bathroom detergent and BEN, lacquer thinner, abrasive etc are forbidden. Besides, do not use nylon brush such friction tool clean it avoiding be scratched.
- 2, When cleaning the shell prevent the water droplets into the machine, so as to avoid electric shock or short circuit;
- 3, It's better to cut off the power when off duty, to extend the service life;
- 4, If the power software cord is damaged, it should be replaced with specialized software or buy components from factories or dedicated maintenance.
- 5, If the machine breaks down, cut off the power quickly and stop work., please commission the professional to repair it.;
- 6, If long time no use of this machine, please cut off the power, and store it in clean and dry indoors with sealed after cleaning.

terms of guarantee

- 1, The product warranty period is one year.
- 2, The service within warranty period for products, which came into effect from the date of buying the machine.
- 3, Within one year after purchasing, consumers find the machine failure caused by the product itself reason, then they can go to the purchasing place to maintenance and replace the machine for free with original invoices and completed and the quality assurance card stamped by dealers.
- 4, The following are not in the scope of free maintenance:
 - ◆ Improper use and the fault caused by demolition, alteration and repair by technical persons without our company authorization.
 - ◆ Fires, earthquakes, thunder and other natural disasters cause faults, and abnormal voltage causes the faults.
 - ◆ The faults caused by non matching power.
 - ◆ The faults caused by long time operation in bad working condition.
 - ◆ Not quality assurance card or the cards is flit not explicitly or correctly.
- 5, Over warranty period or it is not free maintained products, while our company remains committed to serving.

Automatic High Speed Hand Dryer

Operation instruction



Contents

Features & Technical parameters.....	1
Note before installaton.....	1
Method of Installation.....	2
Method of usage.....	2
Warning.....	3
Maintenance.....	3
terms of guarantee.....	3

Dear customer:
Thanks for your purchase of my company's products. Please read this instruction before installation and keep it for installation and usage or any other further reference.

Features & Technical parameters

1. It is equipped with automatic infrared ray induction system, very easy to use, reducing waste, and no touching clean hands which effectively avoid pathogen cross infection and recontamination.
2. It has outstanding performance with most advantage chip control technology and infrared sensor.
3. It has unified high speed motor with RPM of 25000, dries the hands with 7–12 seconds;
4. This series product is all with over current protection, which effectively eliminates accidents.
5. It only needs expansion pipe and screw hook when installation, then hang the machine, cut off the power when maintenance. It is suitable for all departments in hospitals, school, food and pharmaceutical manufacturers, airports, office buildings, hotels, government agencies and research institutions and other places.

Rated Voltage	AC110V	Waterproof Grade	IPX1
Rated Frequency	60HZ	Wind Speed	90m/s
Rated Power	1800W	Sensing Distance	12 ± 3cm
Motor power	600W	Drying Time	7–12S
Ambient Temperature	0–40℃	Installation	Wall Mounting
Way Of Heating	heating wire	Overall size	320 × 290 × 170

Note before installation

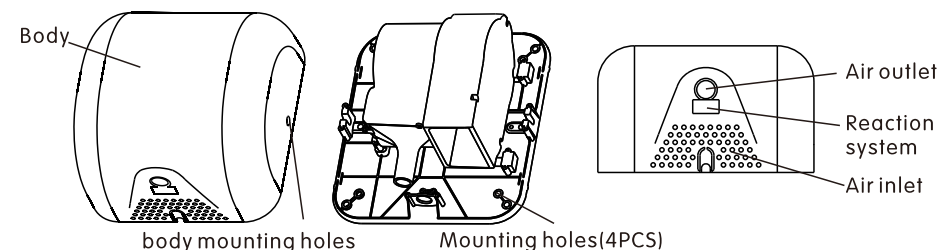
Warning

1. Do not fix it in the place with water or water vapor in surface, do not install in the bathroom which with heavy moisture, in order to avoid electric shock.
2. You must commission professional electrician to install power lines, or else it has electric shock hazard.
3. You must cut off power before operation and ensure the protection no power.
4. The machine must be installed in clean indoor. Please use power: 220V–240V, 50/60Hz.
5. Requests to install leakage circuit breakers or protection against fire hazards,
6. Do not decompose, repair or any alteration of this machine without authorization, otherwise there is a risk of electric shock, fire and other accidents.

Attention

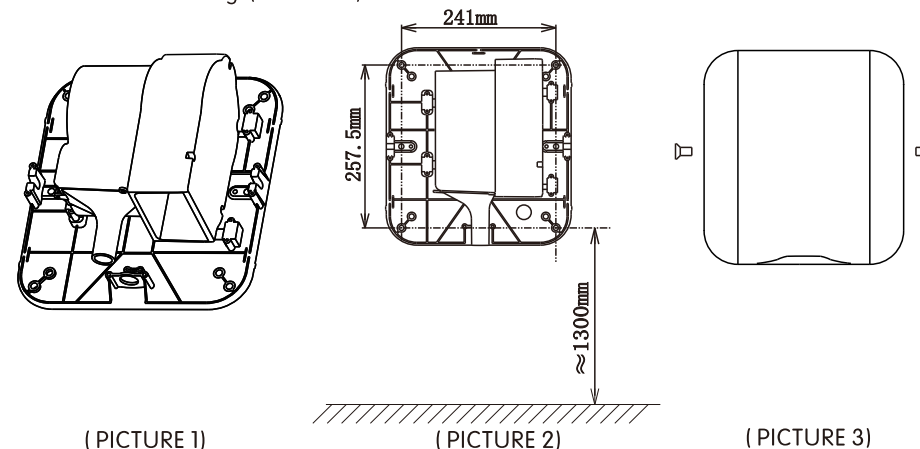
1. To ensure that no other things in the outlet around 400mm. Meanwhile, do not install it above the stainless steel or artificial marble such shining surface location, otherwise prone to misoperation.
2. The body should be firmly fixed to the smooth wall to avoid injuries caused by the decline of product or product damage.
3. Do not install the products in such place with corrosive or flammable gases or objects, it may cause fire or product failure and malfunction.
4. Do not install the products in such environment with multi dust or in high temperature, it may cause product damage.

Method of Installation



Installation method

1. Use the hexagon wrench in the attachment to pull out the screws at the two sides, and take off the panel. (PICTURE 1)
2. Drill hole on the wall according to dimensional drawing, and put the expansion pipe in the hole. We suggest that take off the machine body when you have marked the position and then drill the hole.
3. Use the four screws in the attachment to fix the product on the wall. (PICTURE 2)
4. Cover the panel, and fix the cover the screws with hexagon wrench, plug in the power and it will working. (PICTURE 3)



Method of usage

When the installation is finished, plug in the power, the machine will be in standby mode. Put your hands under the outlet with distance of 10cm, the machine will work automatically. Warm air will come out and drying the hands. When you take away the hands, the machine will stop working automatically in 2 seconds. Also when the machine worked for 60 seconds continually, it will stop working automatically. If you want the machine working again, you need to sensing it again.