



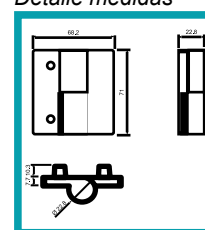
## FICHA TÉCNICA

Producto: **Bisagra para divisiones de baños**

**DESCRIPCIÓN:** Bisagra para divisiones de baños (Derecha) de acero inoxidable 304 de 71 mm de alto y 22.8 mm de ancho. Un espesor de 7.7 mm y el radio de la bisagra de 22.8 mm.

**CÓDIGO: TD-S022 (Rigth)**

*Detalle medidas*



**Marca:** Carbone Hardware

**Alto:** 71 mm

**Ancho:** 22.8 mm

**Largo:** 68.2 mm

**Espesor:** 7.7 mm

**Ancho Conector:** 10.3 mm

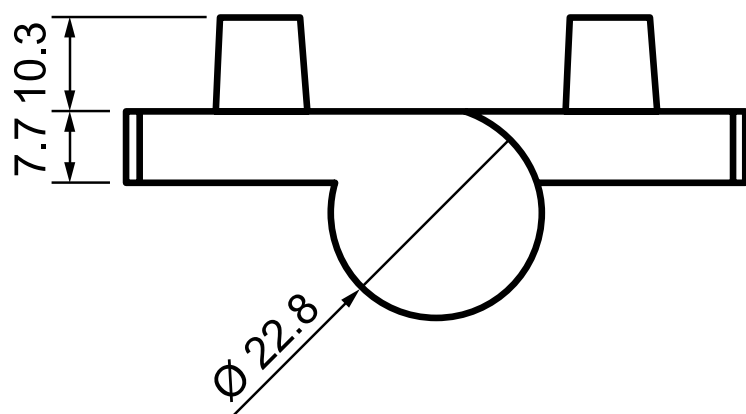
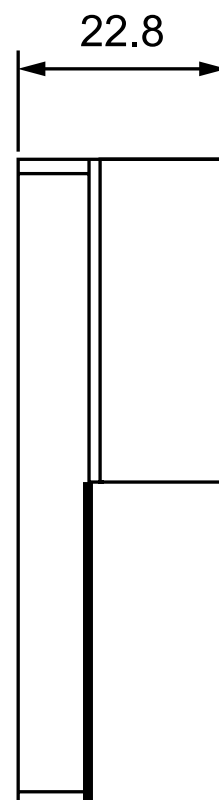
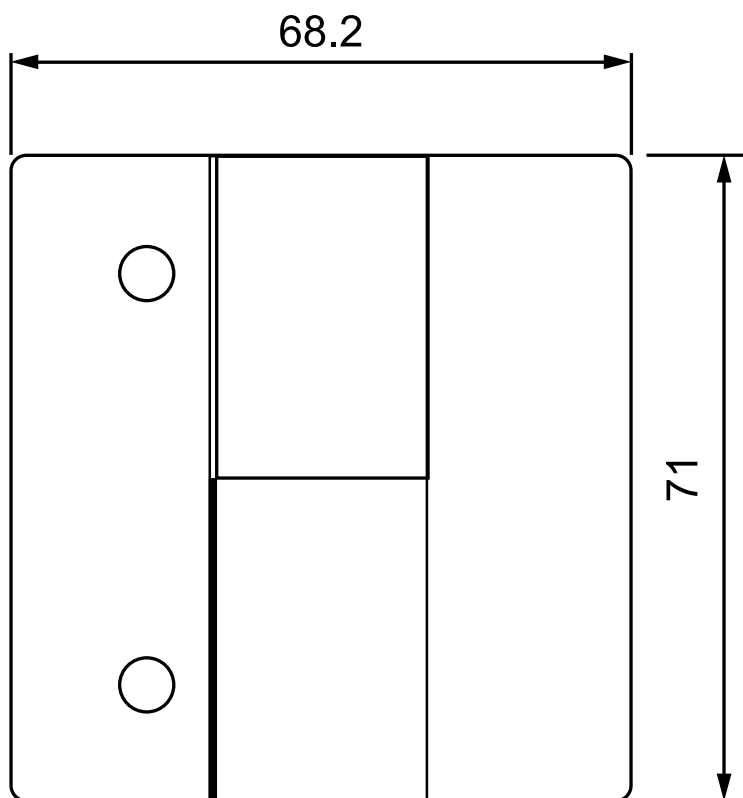
**Radio Bisagra:** 22.8 mm

**Tornillería:** Ocultas, 4 perforaciones

**Material:** Acero Inoxidable 304

**Acabado:** Satinado

**Procedencia:** Importado



<b>EMPRESAS CARBONE S.A.</b>		<b>Certificate No. 201810</b>			
<b>Product</b>	Stainless Steel				
<b>Specification</b>	ASTMA312				
<b>Standard</b>	304	<b>Finish</b>	Mill Finish	Protect	PVC

Item No.	Product Description		Chemical Composition(%)													Tensile Test			
	Dimensions	Quantity Pcs	C	Si	Mn	P	S	Cr	Ni	N	Mo	Cu	Ti	Fe	T.S (Rm) N/m m3	Y.S(ρ)0.2% N/m m3	Elongation	Hardness (HV10)	TEST
Specification			<= 0.08	<= 1	<= 2	<= 0.035	<= 0.03	17-19	8.00-10.00										Eligible
1	TD-S022 (Left)	30	0.0706	0.474	0.9638	0.0324	0.024	18.302	8.0567	---	---	---	---	---	>= 520	>= 205	>= 35	>= 200	Eligible
2	TD-S022 (Righth)	30	0.0706	0.474	0.9636	0.0324	0.024	18.302	8.0567	---	---	---	---	---	>= 520	>= 205	>= 35	>= 200	Eligible
3	TD-S014 (Left)	30	0.0707	0.473	0.9639	0.0323	0.024	18.262	8.0567	---	---	---	---	---	>= 520	>= 205	>= 35	>= 200	Eligible
4	TD-S014 (Righth)	30	0.0707	0.473	0.9639	0.0323	0.024	18.262	8.0567	---	---	---	---	---	>= 520	>= 205	>= 35	>= 200	Eligible
5																			
6																			
7																			
8																			
9																			
10																			
11																			
12																			
13																			
14																			
15																			
16																			
17																			
18																			
19																			
20																			

Remark

Note

Visual Inspection(Surface) and Dimension Check : OK

Surveyor By	We hereby certify that material described herein has been manufactured and tested with satisfactory results ip accordance with the requirement of the above material specification. The material described above has been found free of radiation by raw material supplier.	1.ISO 9001:2015 (No.01100056299) 2.PED/AD2000 (No.01202TWN/Q-050105) 3.ISO 14001:2004 (No.01104822096385) 4.OHSAS 18001:2007 (No.01113822096385)
N/A		