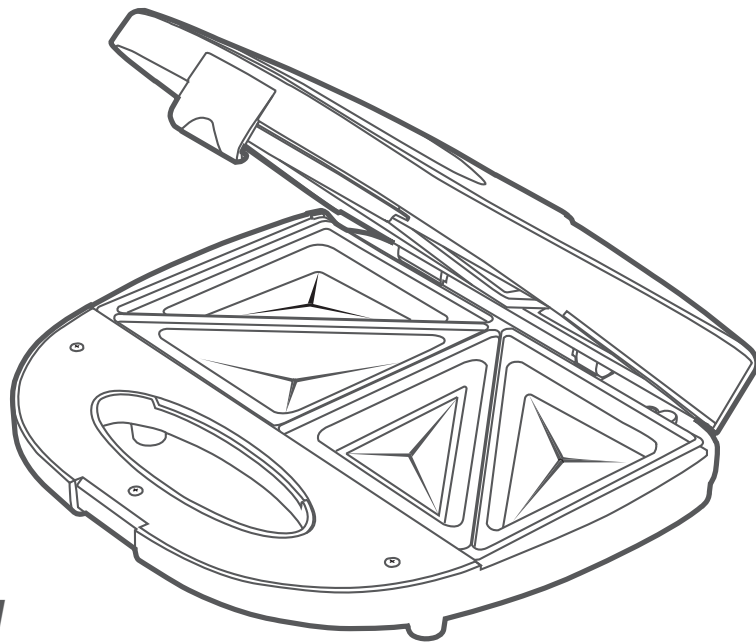


decakila



KUEC001W
SANDWICH TOASTER



CONTENTS

IMPORTANT SAFETY INSTRUCTIONS	01
KNOW YOUR SANDWICH MAKER	02
FOR FIRST USE	03
OPERATION	03
CAUTION	03
CLEANING AND MAINTENANCE	04
ENVIRONMENT FRIENDLY DISPOSAL	04

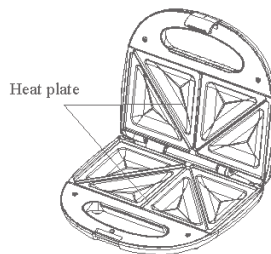
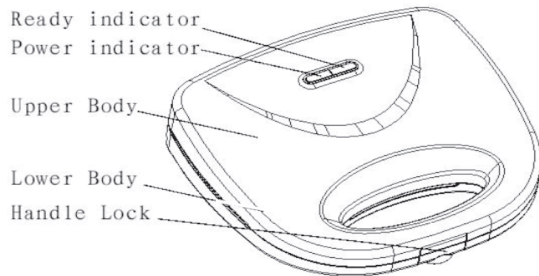
IMPORTANT SAFETY INSTRUCTIONS

When using electrical appliances, the below basic precautions should always be followed, including the following .

- Read all instructions.
- Make sure that your outlet voltage corresponds to the voltage stated on the rating label of the Sandwich maker.
- Do not let cord hang over edge of table or counter, or touch hot surface.
- Do not operate any appliance with a damaged cord or plug or after the appliance malfunction or has been damaged in any manner. Return the appliance to the nearest authorized service facility for examination, repair or adjustment.
- If the supply cord is damaged, it must be replaced by the manufacturer or its service agent or a similarly qualified person in order to avoid a hazard.
- Children should be supervised to ensure that they do not play with the appliance.
- The use of accessory not recommended by the appliance manufacturer may result in fire, electric shock or injury to persons.
- Unplug from outlet when not in use and before cleaning. Always allow to cool before putting on or taking off parts, and before cleaning the appliance.
- The appliance can be used by children aged from 8 years and above and persons with reduced physical, sensory or mental capabilities or lack of experience and knowledge if they have been given supervision or instruction concerning use of the appliance in a safe way and understand the hazards involved. Children shall not play with the appliance. Cleaning and user maintenance shall not be made by children unless they are older than 8 and supervised.
- Keep the appliance and its cord out of reach of children less than 8 years.
- To protect against fire, electric shock and injury to persons, do not immerse the appliance, cord or plug in water or other liquid. If this has happened, do not use this appliance any more; dispose of the appliance.
- This appliance has been incorporated with a grounded plug. Please ensure the wall outlet in your house is well earthed.
- 13. Do not leave the machine on unattended.
- 14. Always use the appliance on a secure, dry level surface.
- 15. Do not place on or near a hot gas or electric burner, or in a heated oven.
- 16. Do not use outdoors.

- Do not use appliance for other than its intended use.
- Do not clean container with cleansers, steel wool pads, or other abrasive material.
- Never insert oversized food or metal foil or other utensils into the appliance.
- Do not touch hot surface. Use handle or knobs only.
- This appliance is intended to be used in household and similar applications such as:
 - Staff kitchen areas in shops, offices and other working environments;
 - Farm houses;
 - By clients in hotels, motels and other residential type environments;
 - Bed and breakfast type environments.
- The appliance is not intended to be operated by means of an external timer or separate remote-control system.
- The the outer surface may get hot when the appliance is operating.

KNOW YOUR SANDWICH MAKER



FOR FIRST USE

Note: This appliance with triangle heating plate is only used to toast bread.

For the first use, smear the heating plate with oil and toast two slices of Sandwich according to the following steps. After toasting, unplug from the power outlet and let it cool down, wipe the heating plates with damp cloth, the first toasted Sandwich should be discarded.

OPERATION

- Connect the plug into rated voltage, the Power indicator is illuminated red, the unit begins preheating.
- During preheating, respectively brush one side of Sandwich.
- Once the cooking surface has reached the preset temperature, the Ready indicator is illuminated green and this Sandwich Maker is ready to toast.

CAUTION

- If too much food is inserted into the appliance and the Sandwich Maker cannot be closed. Never close it with undue force as this would do damage to the handle.
- Never using sharp fork or knife to remove the food as this would damage the non-stick coating of cooking surface. Use heat-resistant wood or plastic utensils only.
- Before unclipping the heating plate make sure the appliance has been disconnect from power supply and heating plate is cool enough.
- **Warning:** Never touch the heating plate during operation. As the heating plates are very hot scalding may occur if touched the heating plates.

CLEANING AND MAINTENANCE

Clean the Sandwich Maker every time after use.

Unplug the appliance from power supply and wait it completely cool before cleaning

INSIDE: use a soft wet cloth to wipe the heating surfaces and dry thoroughly.

- OUTSIDE: Wipe with a soft cloth which has been rinsed almost dry in warm soapy water, and dry with a soft cloth.
- Note: Never use the abrasive cleaner or rough scouring pad to wipe the heating plates
- After cleaning, close and lock the appliance by snapping the handle fastener into the handle.

Store the appliance in a cool dry place out of the reach of children. You may rest the appliance vertically to minimize the storage space.

- If any problem has been found, please contact the authorized service center for help.

ENVIRONMENT FRIENDLY DISPOSAL

You can help protect the environment!

Please remember to respect the local regulations: hand in the non-working electrical equipments to an appropriate waste disposal center.





decakila



decakila



decakila

Made in China Jiangsu China. 2021.D02

www.decakila.com Global Links Technology Co. Pte. Ltd.