

**MX-ID-5**

**IRONING AND DRYING MACHINE**

**INSTRUCTION MANUAL**

**PLEASE READ THE INSTRUCTIONS IN FULL CAREFULLY BEFORE USE AND KEEP THEM FOR FUTURE REFERENCE.**

### **A. Intended Use**

1. This device is intended to be used to dry and press textiles, for example blouses and shirts. Delicate textiles such as wool or similar

fabrics must not be pressed on the presser. Always follow the care labels for the textiles before use.

2. The device is for personal use only and is not intended for commercial applications.
3. The device should only be used as described in these instructions. Any other use is deemed to be improper.

## **B. Important Safeguard**

1. Please always keep away from water and fire; place the device on the hard and flat floor and good air circulation area.
2. The device can use soft cloth to wipe the surface only. Never immerse the device, the mains cable or the mains plug in water or other liquids.
3. Please hang on the cloth after dehydration; NEVER drip water.
4. This device is not intended for use by persons (including children) with reduced physical, sensory or mental capabilities, or lack of experience and knowledge, unless they have been given supervision or instruction concerning use of the device by a person responsible for their safety.

5. Children being supervised not to play with the device.
6. Never cover the wind inlet and outlet.
7. If the supply cord is damaged, please return to authorized service center for repair. Do not attempt to disassemble or repair yourself.
8. The device must always be switched off and disconnected from the mains power when it is not being used and before assembling, disassembling or cleaning the device.
9. Allow the device to cool down completely before it is cleaned and stored away.
10. Suitable for textiles such as pants and shirts, delicate textiles such as wool or similar fabrics must not be pressed on the device.
11. CAUTION: Hot surfaces! The motor unit/telescopic rod will become hot during use. You should therefore not touch it during or shortly after use.

### **C. Product Specification**

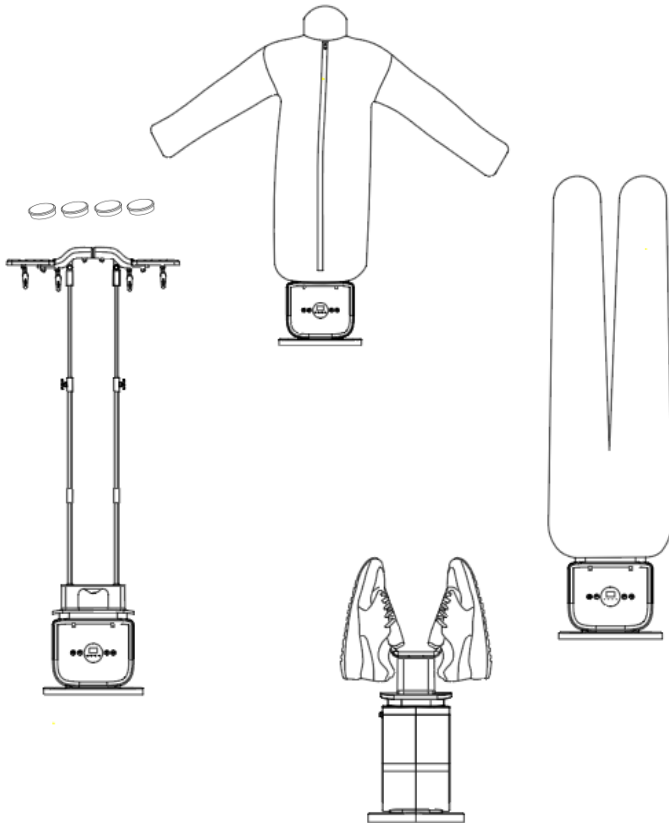
1. Rated Voltage: 110V~
2. Rated Frequency: 60Hz

3. Rated Power: 1250W
4. Timer: 0-180 minutes or on
5. Protection class: II

#### **D. Product Feature**

1. Safety ceramic heating element.
2. Super strong wind and low noise fan.
3. Novelty and elegant structure design, with clips to presser and hidden type power cord.
4. Hot air tension technology heats and smooth your garments
5. High temperature to dry the garments in a short time.

#### **E. Product Overview**



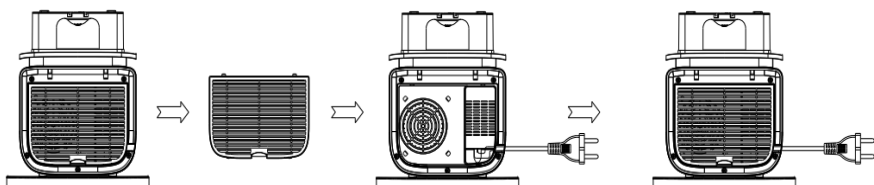
**F. Product Component**

Part name	Quantity
-----------	----------

Motor unit	1set
Lower rod	2pcs
Telescopic rod	2pcs
Hanger	1set
Clips	4pcs
Magnetic clamps	4pcs
Shirts balloon	1pc
Pants balloon	1pc
Shoes rack	1pc

## G. Assembly

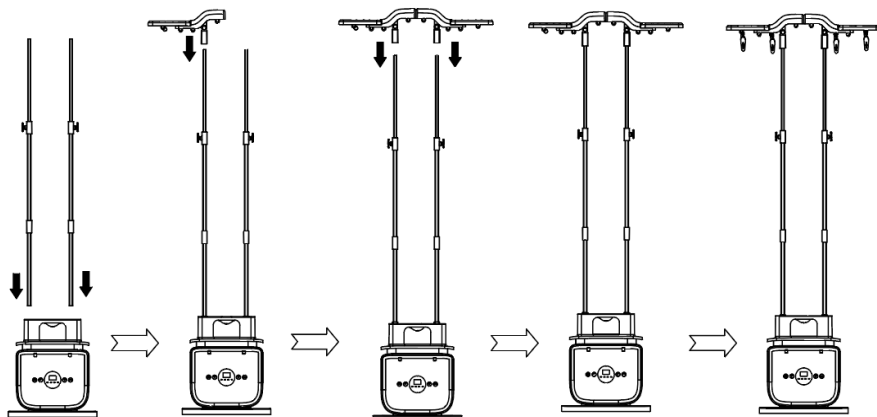
1. Pull the mains plug out of the back of motor unit.



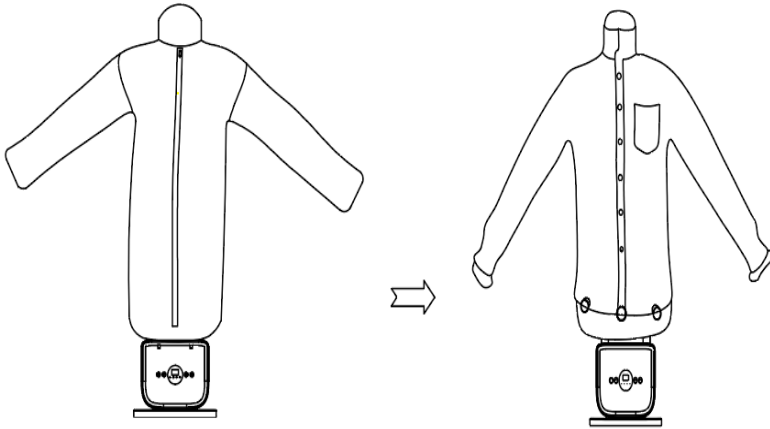
## SHIRTS

1. Install the two lower rods into the corresponding holes of the motor unit. Insert the two telescopic rods with lower rods. Set the height

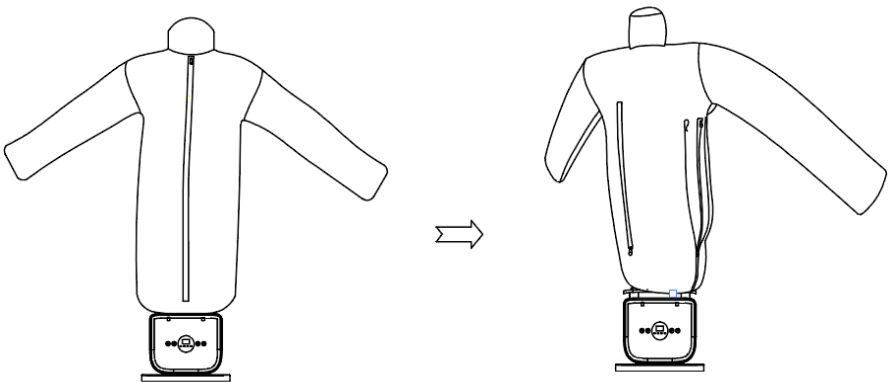
you want. To do this, open the screw, pull out the telescopic rod and then close the screw again. Place the hanger with 4 clips onto the telescopic rods.



2. Put on the shirts air bag, and pull the elastic cord at the bottom over the mounting flange.
3. Wear the garments on the shirts air bag and turn on the motor.
4. Put the magnetic clamps with integrated weight on the bottom of garments. Stretch the garment to make it smoother.

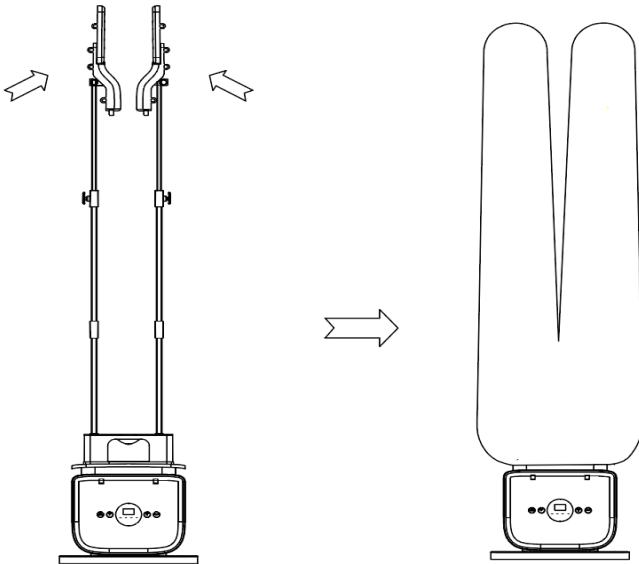


**Attention:** Open or close the zipper of shirts airbag to fit all different dress sizes.



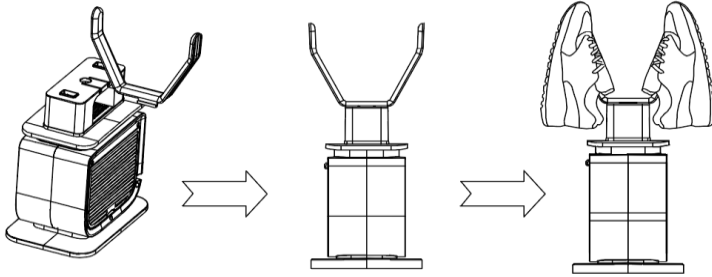
## PANTS

1. Switch the hanger to upside as below picture. Put on the pants air bag; pull the elastic cord at the bottom over the mounting flange.
2. Wear the pants on the pants air bag and turn on the motor.



## SHOES

Insert the shoes rack as below picture.

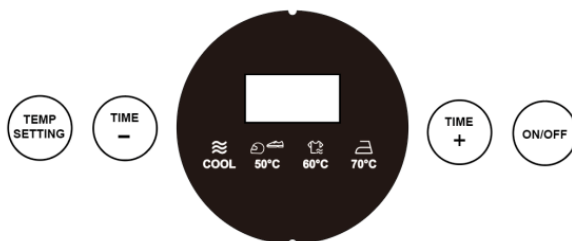


## H. Disassembly

1. To disassemble this machine, follow the assemble steps in reverse.

## H. How to use

1. Insert the power plug into power socket, enter the standby state after power.
2. Select ON/OFF button to start the machine.
3. Select the TEMP SETTING to the one you require at the position of COOL, 50°C, 60°C or 70°C; and select TIME+ / TIME- to the one you require, Then the machine starts to work.



## J. Tips

Please make the Shirts/Pants is formfitting and smooth on the air bag.

## K. Attention

1. Dry clothes, shoes and other items should be wringed or dried without water drop.
2. Please make sure that the clothes and shoes to be dried must be able to withstand temperature which you set.

## L. Troubleshooting

No.	Problem	Possible cause/solution
1	The device does not work. The LEDs do not light up.	<ul style="list-style-type: none"><li>● Is the mains plug inserted in the plug socket correctly? Correct the fit of the mains plug.</li><li>● Is the plug socket defective? Try another plug socket.</li><li>● Check the fuse of the mains connection.</li><li>● Is the device switched on? Set the timer to a time.</li></ul>

2	Unusual noises	<ul style="list-style-type: none"> <li>● Are the wind outlet covered up or blocked? Free up the outlet vent.</li> </ul>
3	The device switches off suddenly.	<ul style="list-style-type: none"> <li>● Are the wind outlet covered up or blocked? Free up the outlet vent.</li> <li>● The device has an automatic safety switch-off function. It switches off automatically if it overheats. Allow the device to cool down and switch it on again.</li> </ul>
4	Odors produced	<ul style="list-style-type: none"> <li>● You might notice a slight odors caused by production residues the first time you use the device. However, this is harmless and will cease as you use the device.</li> </ul>