

Carbone  *Hardware*

www.empresascarbone.com



MODEL: YLM-JNS-2P

Notice

1. Opening and closing the door more gently to avoid the human error damage.
Oil it every month to make it sliding smoothly.
2. Using Acid or alkali solution, knife to scrape the shower room are strictly forbidden.
3. Don't let the child or Persons with physical disabilities to take shower alone.
4. Don't climb the shower room or handing heavy things on it.
5. This board is Acrylic which will be turn soft when the temperature over 80 centidegrec, so, please keep below it. Suggestion let-out cold water before hot water.
6. Because the Acrylic surface hardness is similar like aluminium alloy, please notice the surface protect when pick-and-place it. Can use 2000# water polishing with nubock leather, then use tooth paste with silk to make it flat when its damaged.
7. Under normal pressure of water it few to let water out when using it. should washing the faucet Valve often and check it if there is block of junk.
8. put on the silicon sealant in time in case of water leakage.
9. open the door to make it keep well-ventilated in case of any moisture to make the shower room got mildewed and produce of flavour.
10. used the Phillips screddriver(3) to adjusting the vertical screws of the roof wheels, adjusting the sliding glass up or down, to make it in a suitable place.
11. If there is the phenomenon of the gap or down of the accessible door, use a screddriver or a hexagonal wrench transfer roller or hinge section to let the door up or down, to make it is a suitable place.
12. After installation, sealed the frame and tray basin gap piece with silicon gel. Then, use the neutral detergent to wash the aluminium frame and glass, to make it bright and clean.

Level Ruler



tap measure



Pencil



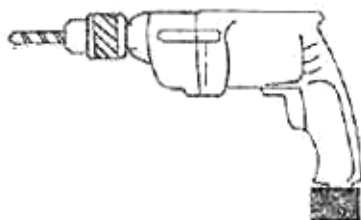
ruler



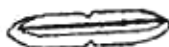
3mm drills



electric drill



screwdrivers blades



organic glass gun



screwdriver



rawhide hammer










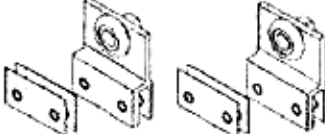

Spanner



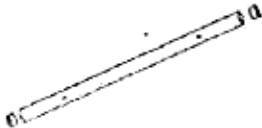
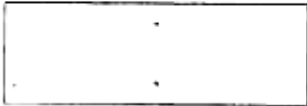

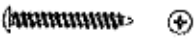

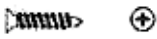
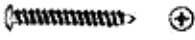
This product is heavy and may require two people to install.

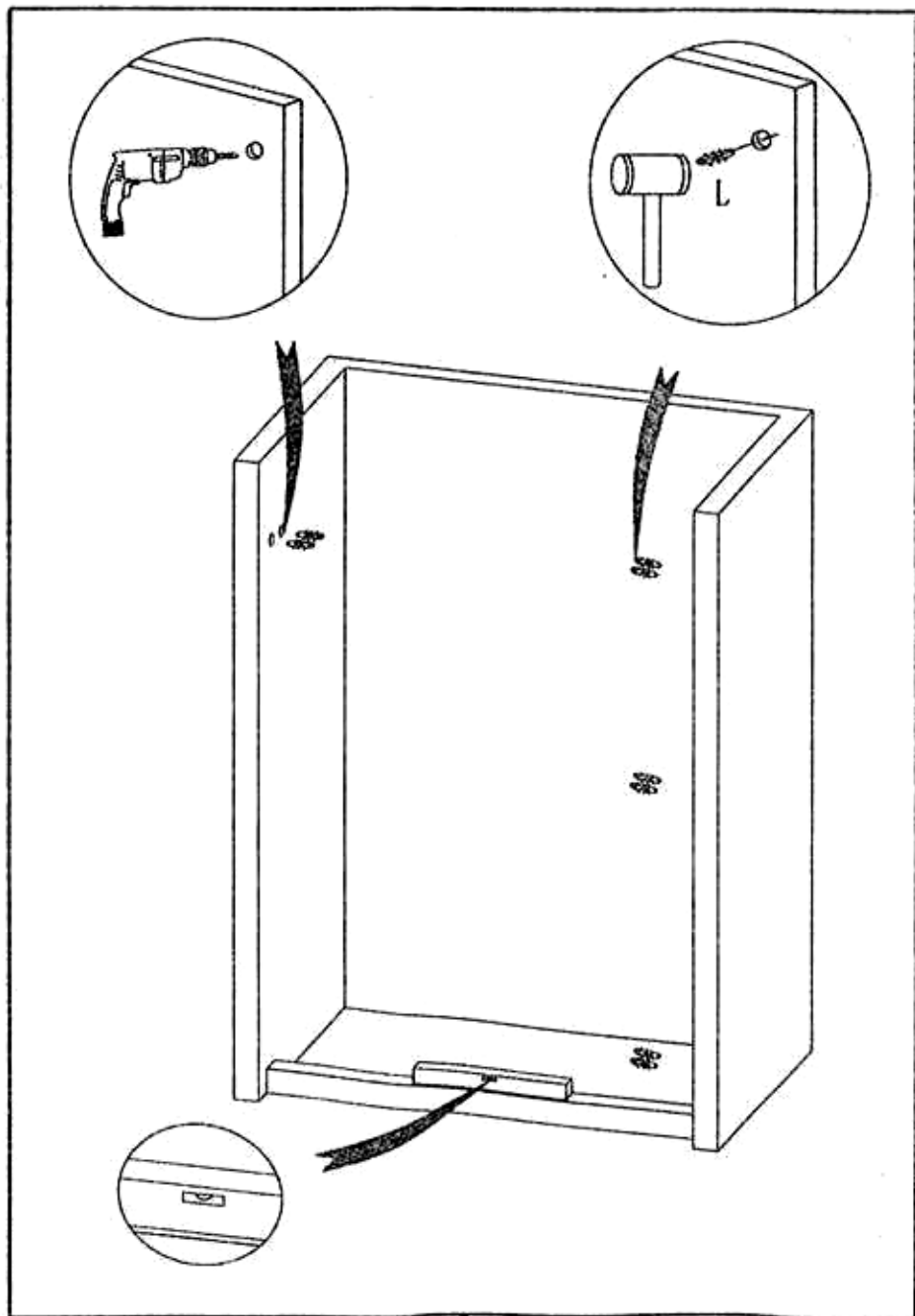


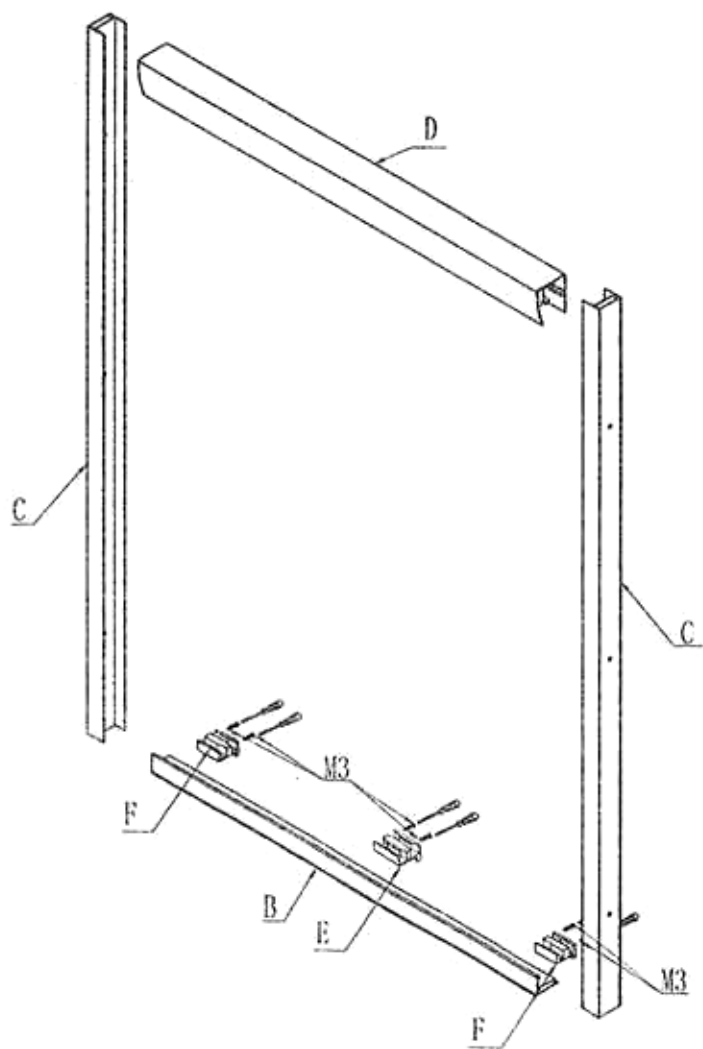
spare parts

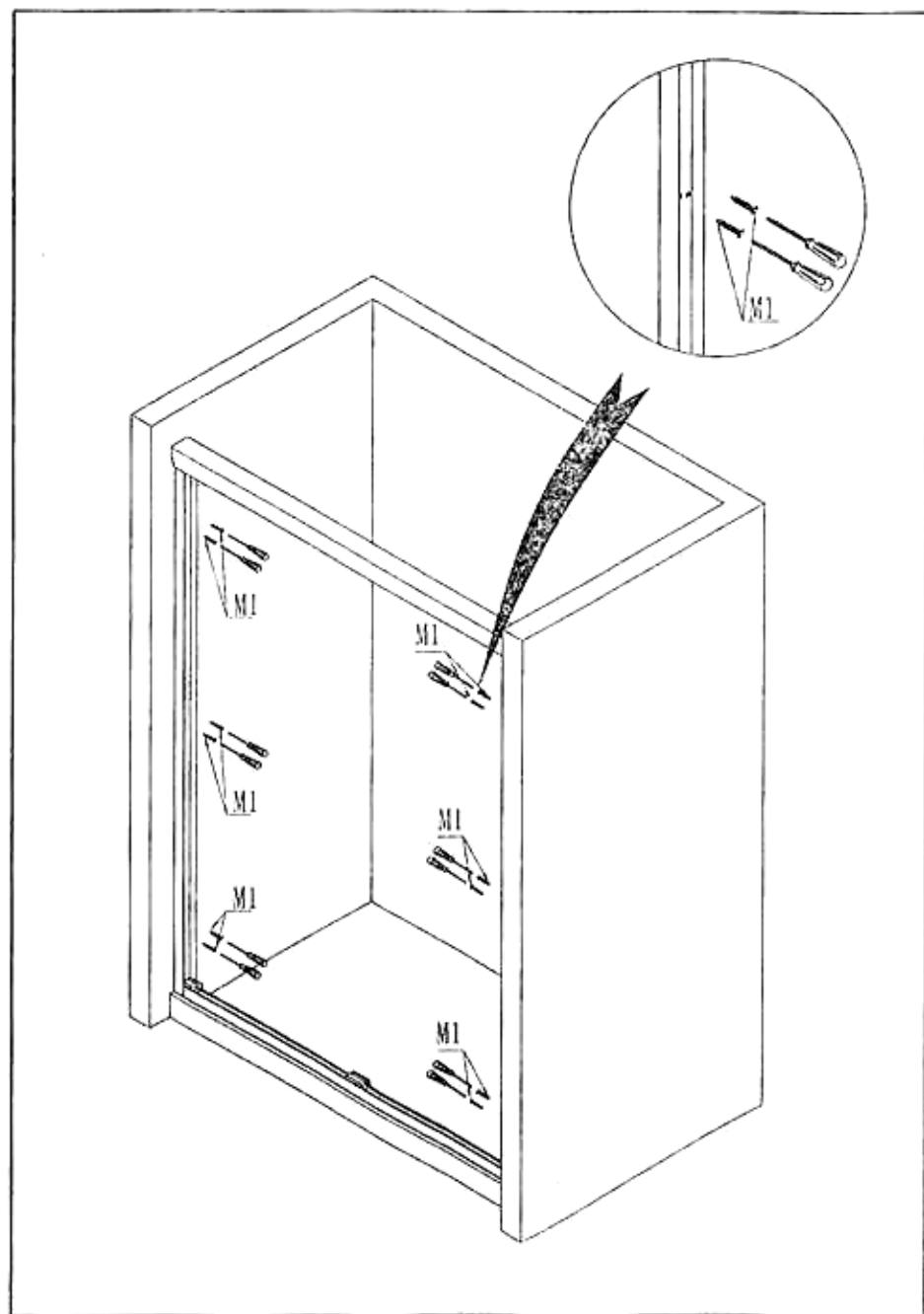
Serial No.	Name	Rendering	Qty
A	man-made stone bar		0
B	BD-3		1
C	BD8-2		2
D	5169		1
E	frame fixed		1
F	frame fixed		2
G	frame fixed		6
H	wheels		4
I	frame fixed		4

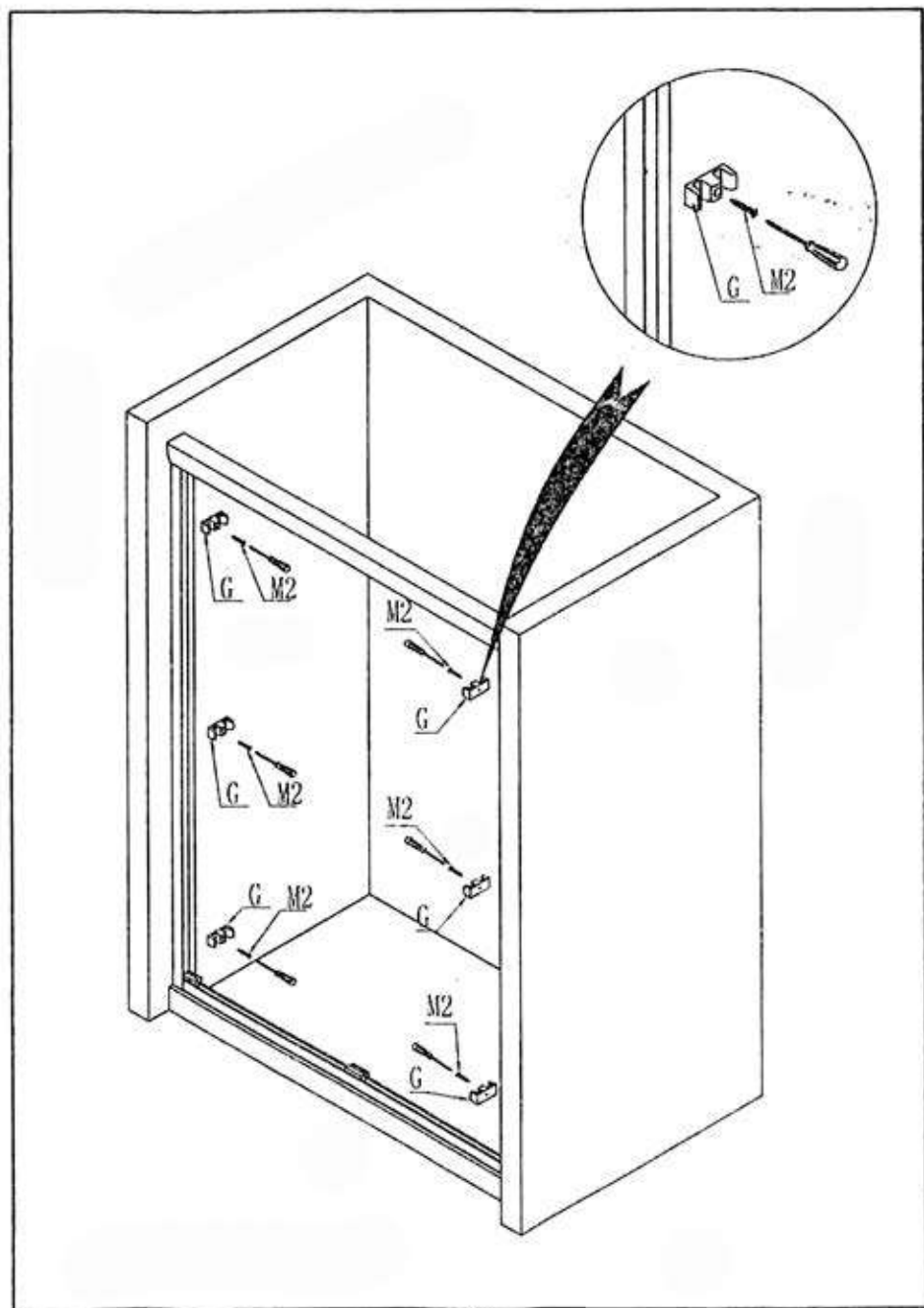
spare parts

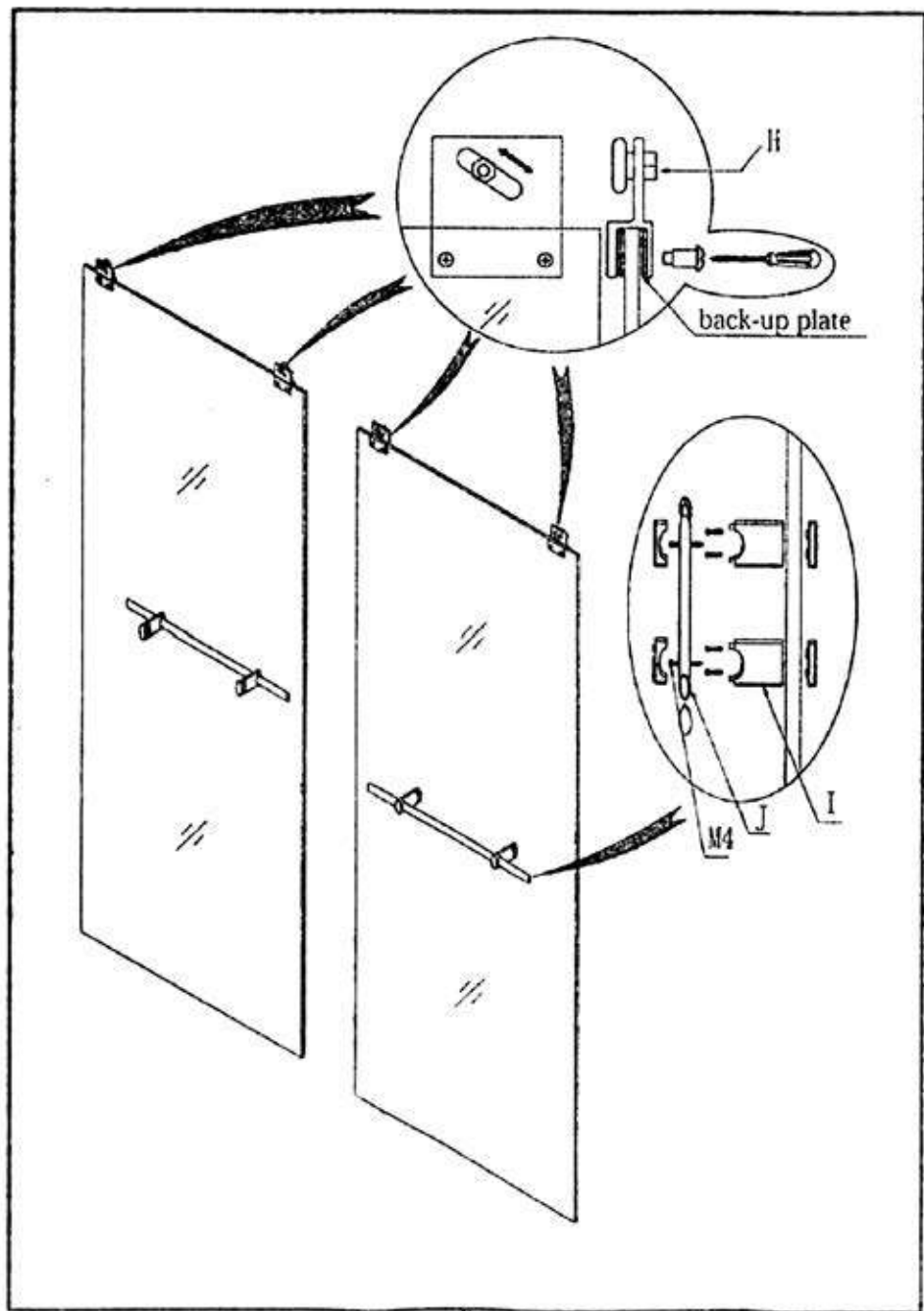
Serial No.	Name	Rendering	Qty
J	Handle		2
K	Fixed glass		2
L	(6MM)expansion tub		12
M	(M1) round head screw ST4*30MM		12
	(M2) round head screw ST4*16MM		6
	(M3) round head screw ST4*12MM		6
	(M4) round head screw ST4*20MM		4













Warning:
Don't use the shower enclosure until after at least 24 hours, so that the silica gel can be totally dry.

