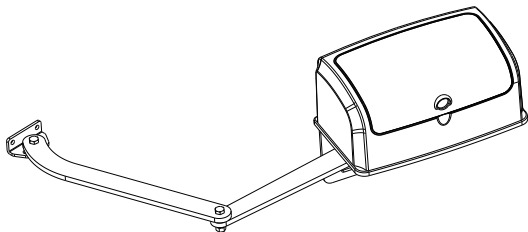


# **INSTRUCTION**

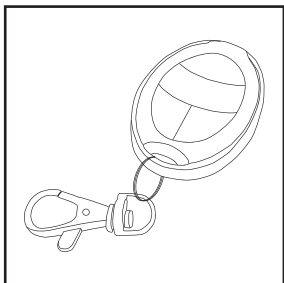
**SWING GATE OPERATOR**

**MV08**

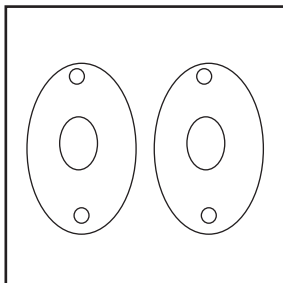


PLEASE READ CAREFULLY  
BEFORE INSTALLING AND USE

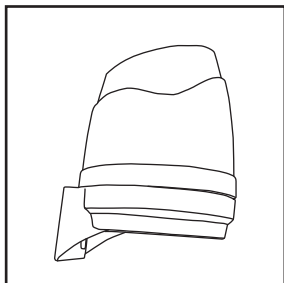
# A kit of motor includes



4pcs Remote controls



2 pair photocell



1 pc lamp



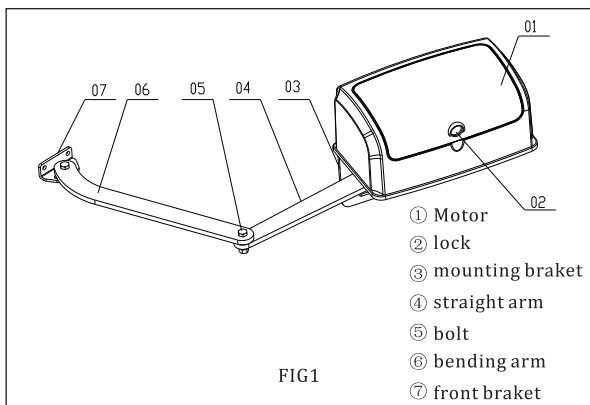
## WARNING TO THE INSTALLER AND USER

- 1 CAUTION! It is important for personal safety to follow all the instructions carefully. Incorrect installation or misuse of the product may cause people serious harm.
- 2 Keep the instructions in a safe place for future reference.
- 3 This product was designed and manufactured strictly for the use indicated in this documents. any other not expressly indicated use may damage the product and/or be a source of danger.
- 4 Before carrying out any work on the system, switch off the electricity supply.
- 5 Accepts no responsibility regarding safety and correct operation of the automation ,should components made by manufacturers other than be used in the system.
- 6 Do not make any alterations to the components of the automation.
- 7 Do not allow children or other persons to stand near the product while in operation.
- 8 Keep remote controls away from children, to prevent the automation from being activated accidentally.
- 9 The user must refrain from attempting to repair or adjust the system personally and should contact qualified personnel only.
- 10 Frequently examine the installation, in particular check cables, springs and mountings for signs of wear, damage or imbalance .Do not use if repair or adjustment is needed since a fault in installation or an incorrectly balanced door may cause injury.
- 11) This appliance is not intended for use by persons (including children) with reduced physical, sensory or mental capabilities, or lack of experience and knowledge, unless they have been given supervision or instruction concerning use of the appliance by a person responsible for their safety.
- 12 If the supply cord is damaged, it must be replaced by the manufacturer, its service agent or similarly qualified persons in order to avoid a hazard.
- 13 Disconnect the supply when cleaning or other maintenance is being carried out, if the appliance is automatically controlled.
- 14The temperature range marked on the drive should be suitable for the location.

**PLEASE READ THE MANUAL CAREFULLY  
BEFORE INSTALL AND USE**

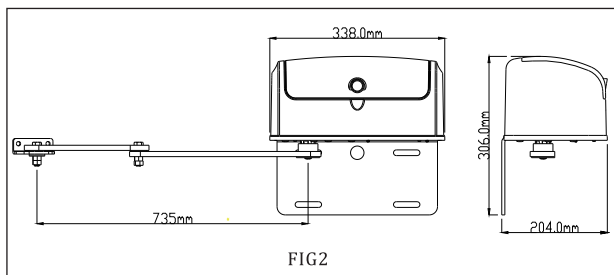
## Introduction

### 1. Description :



### 2. Technical specifications

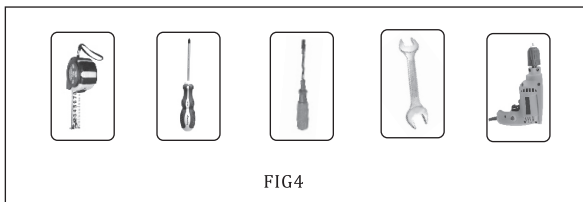
Motor power	110V AC
Current	0.55A
Rotational speed	1400r/min
Rod's running speed	2.14r/min
Max output torque	375Nm
Grate's opening angle	>90°
Environment temperature	-20°C ~+55°C
Insulation class	B
Protection class	IP54

**3. Dimensions :** \_\_\_\_\_

**4. Package list :** \_\_\_\_\_

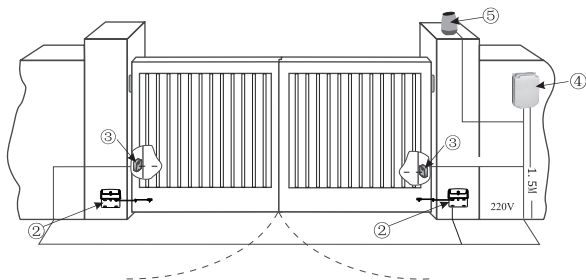
 <b>FIG3</b> 1PCS	 Straight arm 1pcs  Bending arm 1pcs
 1PCS	 M10×45 1 PCS  M10×35 1 PCS
 2PCS	
 2PCS	
 2PCS	 M10×35 2PCS
 1PCS	 M8×40 3PCS  M8×2 PCS  M8×2 PCS  M10×4
 1PCS	 M10×25×4PCS  M8×25×3 PCS  Φ10×4PCS Φ8.5 1PCS  Φ10×4PCS  nylon gasket 6PCS

## Installation

1. Tools: \_\_\_\_\_



2 Standard installation layout: \_\_\_\_\_

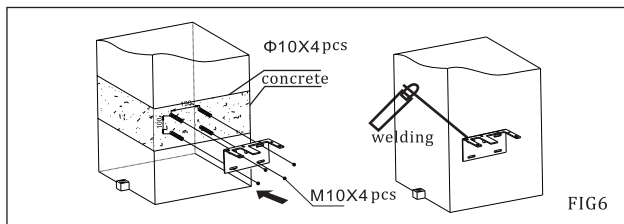


- ① T15 transmitter
- ② Motor
- ③ Photocell (optional)
- ④ Control box
- ⑤ Alarm lamp (optional)

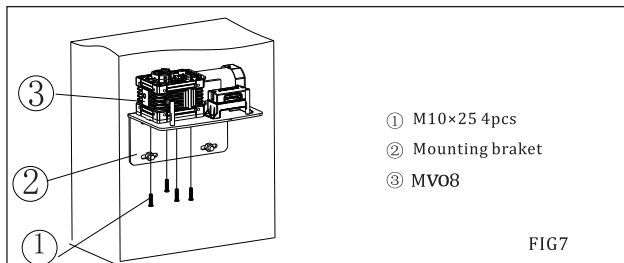


FIG5

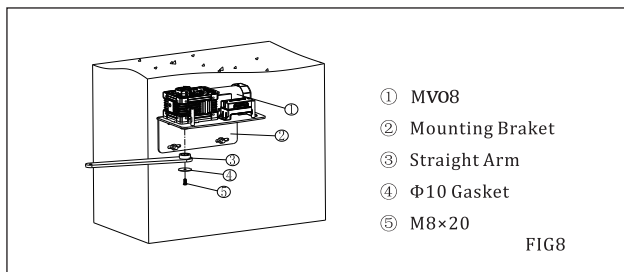
3. Fix the mounting bracket: \_\_\_\_\_



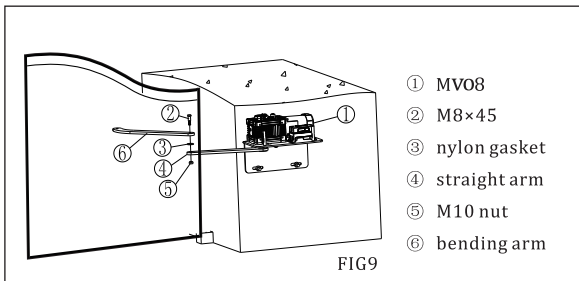
4. Fix the Motor's(PK09) : \_\_\_\_\_



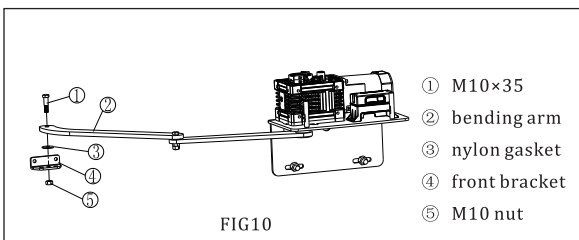
5. Fix the straight arm : \_\_\_\_\_



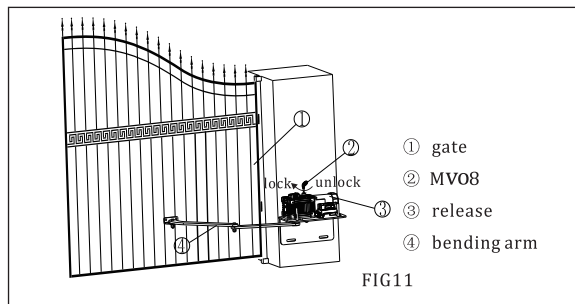
6. Connect the bending arm : \_\_\_\_\_



7. Connect the Front Bracket : \_\_\_\_\_

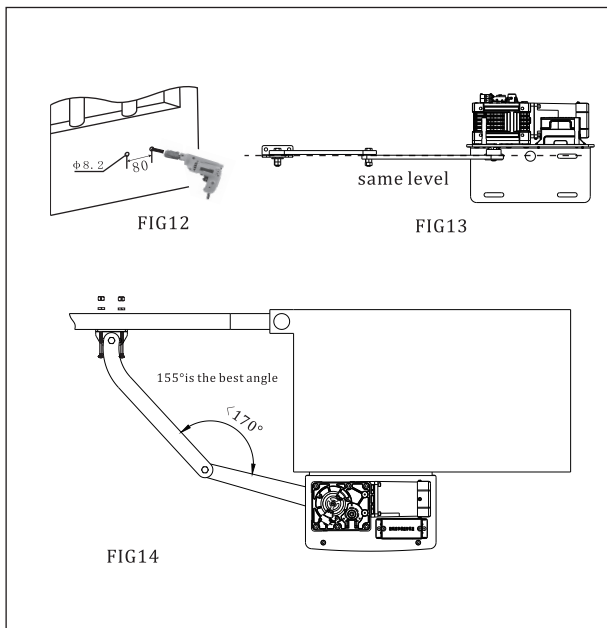


8. How to release : \_\_\_\_\_





## 9. Fix the front bracket : \_\_\_\_\_



After installation, ensure that the mechanism is properly adjusted and that the protection system and any manual release function correctly.