



ProMig140 IGBT INVERTER
DC MIG/MAG/CO₂
WELDING MACHINE

(Suitable for 1x110V)

Operators's Manual
Safety, Setup and General Use Guide



REV.2 0 00141-16
Issue Date: May. 11, 2016
Manual No.: 0-1531

EMPRESAS CARBONE S.A.
Calle 5ta. Rio Abajo, Panamá, Panamá
Telefonos: (507) 3916309 / 3916313
www.empresascarbone.com

Dear Customer,

Thank you for selecting the our machine. We appreciate you as a customer and hope that you will enjoy years of use from your welder.

Please go directly to the our website to register your unit and receive your warranty information. Your unit registration is important should any information such as product updates or re-calls be issued. It is also important so that we may track your satisfaction with our products and services. If you are unable to register by website, contact our directly through the sales department through the main customer service number in your country. Your unit will be registered and warranty will be issued and in full effect. Keep all information regarding your purchase. **In the event of a problem you must contact technical support before your welder can be a candidate for warranty service and returned.**

Please review the current online warranty statement and information found on the website of the our division located in or nearest to your country. Print it for your records and become familiar of its terms and conditions.

We offers full technical support, in several different forms. We have online support available through email, and a welding support forum designed for customers and noncustomer interaction. Technical advisors are active on the forum daily. We also divide our support into two divisions: technical and welding performance. Should you have an issue or question concerning your unit, please contact performance/technical support available through the main company headquarters available in your country. For best service call the appropriate support line and follow up with an email, particularly if off hours, or you cannot reach a live person. In the event you do not reach a live person, particularly during heavy call volume times, holidays, and off hours, leave a message and your call will normally be returned within 24 hours. Also for quick answers to your basic questions, join the company owned forum available through the website.

Should you need to call or write, always know your model name, purchase date and welder manufacturing inspection date. This will assure the quick and accurate customer service. **REMEMBER: Be as specific and informed as possible. Technical and performance advisors rely upon you to carefully describe the conditions and circumstances of your problem or question. Take notes of any issues as best you can. You may be asked many questions by the advisors to clarify problems or issues that may seem very basic. However, diagnosis procedures MUST be followed to begin the warranty process. Advisors can't assume anything, even with experienced users, and must cover all aspects to properly diagnose the problem. Depending upon your issue, it is advisable to have basic tools handy such as screwdrivers, wrenches, pliers, and even an inexpensive test meter with volt/ohm functions before you call.**

Let us know how we may be of service to you should you have any questions.

We want you to take pride in operating our machine as much pride as we have taken in making this product for you. Please read all information in this manual before operation

PLEASE EXAMINE CARTON AND EQUIPMENT FOR DAMAGE IMMEDIATELY

When this equipment is shipped, title passes to the purchaser upon receipt from the courier. Consequently all claims for material damaged in shipment must be made by purchaser against the transportation company used.

Please record your equipment identification below for future reference. This information can be found on data plate at rear of machine.

Product : ProMig140

Serial No. _____

Date of Purchase _____

Where Purchased _____

Whenever you request replacement parts or information on this equipment please always supply information you have recorded above

This product is covered by 1 years parts and labour warranty, you are responsible for costs of shipping unit to us, we will cover cost of returning item to you. External items, torch, earth lead etc are covered by 3 months warranty. Any faults/damage found caused by customer will be charged prorata.

Pay particular attention to the safety instructions we have provided you for your protection The level of seriousness to be applied to each section is explained below

WARNING



This statement appears where the information must be followed exactly to avoid serious personal injury.

CAUTION

This statement appears where the information must be following to avoid a minor personal injury or damage to this equipment.

SAFETY PRECAUTIONS

We are dedicated to providing you with the best possible equipment and service to meet the demanding jobs that you have. We want to go beyond delivering a satisfactory product to you. That is the reason we offer technical support to assist you with your needs should an occasion occur. With proper use and care your product should deliver years of trouble free service.



Safe operation and proper maintenance is your responsibility.

We have compiled this operator's manual, to instruct you in basic safety, operation and maintenance of our product to give you the best possible experience. Much of welding and cutting is based upon experience and common sense. As thorough as this welding manual may be, it is no substitute for either. Exercise extreme caution and care in all activities related to welding or cutting. Your safety, health and even life depends upon it. While accidents are never planned, preventing an accident requires careful planning.

Please carefully read this manual before you operate machine. This manual is not only for the use of the machine, but to assist in obtaining the best performance out of your unit. Do not operate the unit until you have read this manual and you are thoroughly familiar with the safe operation of the unit. If you feel you need more information please contact our Support.

The warranty does not cover improper use, maintenance or consumables. **Do not attempt to alter or defeat any piece or part of your unit, particularly any safety device.** Keep all shields and covers in place during unit operation should an unlikely failure of internal components result in the possible presence of sparks and explosions. If a failure occurs, discontinue further use until mal-functioning parts or accessories have been repaired or replaced by qualified personnel.

Note on High Frequency electromagnetic disturbances:



Certain welding and cutting processes generate High Frequency (HF) waves. These waves may disturb sensitive electronic equipment such as televisions, radios, computers, cell phones, and related equipment. High Frequency may also interfere with fluorescent lights. Consult with an electrician if disturbance is noted. Sometimes, improper wire routing or poor shielding may be the cause.



HF can interfere with pacemakers. See EMF warnings in following safety section for further information. Always consult your physician before entering an area known to have welding or cutting equipment if you have a pacemaker.

MOVING PARTS can cause injury.



Moving parts, such as fans, rotors, and belts can cut fingers and hands and catch loose clothing.

Do not put your hands near the engine fan. Do not attempt to override the governor or idler by pushing on the throttle control rods while the engine is running.

SAFETY PRECAUTIONS



These safety precautions are for protection of safety and health. Failure to follow these guidelines may result in serious injury or death. Be careful to read and follow all cautions and warnings. Protect yourself and others.



Welding and cutting processes produce high levels of ultraviolet (UV) radiation that can cause severe skin burn and damage. There are other potential hazards involved with welding such as severe burns and respiratory related illnesses. Therefore observe the following to minimize potential accidents and injury:



Use appropriate safety glasses with wrap around shields while in the work area, even under welding helmets to protect your eyes from flying sparks and debris. When chipping slag or grinding, goggles and face shields may be required.



When welding or cutting, always use an approved shielding device, with the correct shade of filter installed. Always use a welding helmet in good condition. Discard any broken or cracked filters or helmets. Using broken or cracked filters or helmets can cause severe eye injury and burn. Filter shades of no less than shade 5 for cutting and no less than shade 9 for welding are highly recommended. Shades greater than 9 may be required for high amperage welds. Keep filter lenses clean and clear for maximum visibility. It is also advisable to consult with your eye doctor should you wear contacts for corrective vision before you wear them while welding.



Do not allow personnel to watch or observe the welding or cutting operation unless fully protected by a filter screen, protective curtains or equivalent protective equipment. If no protection is available, exclude them from the work area. Even brief exposure to the rays from the welding arc can damage unprotected eyes.



Always wear hearing protection because welding and cutting can be extremely noisy. Ear protection is necessary to prevent hearing loss. Even prolonged low levels of noise has been known to create long term hearing damage. Hearing protection also further protects against hot sparks and debris from entering the ear canal and doing harm.



Always wear personal protective clothing. Flame proof clothing is required at all times. Sparks and hot metal can lodge in pockets, hems and cuffs. Make sure loose clothing is tucked in neatly. Leather aprons and jackets are recommended. Suitable welding jackets and coats may be purchased made from fire proof material from welding supply stores. Discard any burned or frayed clothing. Keep clothing away from oil, grease and flammable liquids.



Leather boots or steel toed leather boots with rubber bottoms are required for adequate foot protection. Canvas, polyester and other man made materials often found in shoes will either burn or melt. Rubber or other non conductive soles are necessary to help protect from electrical shock.



Flame proof and insulated gauntlet gloves are required whether welding or cutting or handling metal. Simple work gloves for the garden or chore work are not sufficient. Gauntlet type welding gloves are available from your local welding supply companies. Never attempt to weld with out gloves. Welding with out gloves can result in serious burns and electrical shock. If your hand or body parts comes into contact with the arc of a plasma cutter or welder, instant and serious burns will occur. **Proper hand protection is required at all times when working with welding or cutting machines!**

SAFETY PRECAUTIONS



WARNING! Persons with pacemakers should not weld, cut or be in the welding area until they consult with their physician. Some pacemakers are sensitive to EMF radiation and could severely malfunction while welding or while being in the vicinity of someone welding. Serious injury or death may occur!



Welding and plasma cutting processes generate electro-magnetic fields and radiation. While the effects of EMF radiation are not known, it is suspected that there may be some harm from long term exposure to electromagnetic fields. Therefore, certain pre-cautions should be taken to minimize exposure:

- * Lay welding leads and lines neatly away from the body.
- * Never coil cables around the body.
- * Secure cables with tape if necessary to keep from the body.
- * Keep all cables and leads on the same side the body.
- * Never stand between cables or leads.
- * Keep as far away from the power source (welder) as possible while welding.
- * Never stand between the ground clamp and the torch.
- * Keep the ground clamp grounded as close to the weld or cut as possible.



Welding and cutting processes pose certain inhalation risks. Be sure to follow any guidelines from your chosen consumable and electrode suppliers regarding possible need for respiratory equipment while welding or cutting. Always weld with adequate ventilation. Never weld in closed rooms or confined spaces. Fumes and gases re-released while welding or cutting may be poisonous. Take precautions at all times.

Any burning of the eyes, nose or throat are signs that you need to increase ventilation.

- * Stop immediately and relocate work if necessary until adequate ventilation is obtained.
- * Stop work completely and seek medical help if irritation and discomfort persists.



WARNING! Do not weld on galvanized steel, stainless steel, beryllium, titanium, copper, cadmium, lead or zinc without proper respiratory equipment and or ventilation.



WARNING! This product when used for welding or cutting produces fumes and gases which contains chemicals known to the State of California to cause birth defects and in some cases cancer. (California Safety and Health Code § 25249.5 et seq.)



WARNING! Do not weld or cut around Chlorinated solvents or degreasing areas. Release of Phosgene gas can be deadly. Consider all chemicals to have potential deadly results if welded on or near metal containing residual amounts of chemicals.



Keep all cylinders upright and chained to a wall or appropriate holding pen. Certain regulations regarding high pressure cylinders can be obtained from OSHA or local regulatory agency. Consult also with your welding supply company in your area for further recommendations. The regulatory changes are frequent so keep informed.



All cylinders have a potential explosion hazard. When not in use, keep capped and closed. Store chained so that overturn is not likely. Transporting cylinders incorrectly can lead to an explosion. Do not attempt to adapt regulators to fit cylinders. Do not use faulty regulators. Do not allow cylinders to come into contact with work piece or work. Do not weld or strike arcs on cylinders. Keep cylinders away from direct heat, flame and sparks.

SAFETY PRECAUTIONS



WARNING! Electrical shock can kill. Make sure all electrical equipment is properly grounded. Do not use frayed, cut or otherwise damaged cables and leads. Do not stand, lean or rest on ground clamp. Do not stand in water or damp areas while welding or cutting. Keep work surface dry. Do not use welder or plasma cutter in the rain or in extremely humid conditions. Use dry rubber soled shoes and dry gloves when welding or cutting to insulate against electrical shock. Turn machine on or off only with gloved hand. Keep all parts of the body insulated from work, and work tables. Keep away from direct contact with skin against work. If tight or close quarters necessitates standing or resting on work piece, insulate with dry boards and rubber mats designed to insulate the body from direct contact.



All work cables, leads, and hoses pose trip hazards. Be aware of their location and make sure all personnel in area are advised of their location. Taping or securing cables with appropriate restraints can help reduce trips and falls.



WARNING! Fire and explosions are real risks while welding or cutting. Always keep fire extinguishers close by and additionally a water hose or bucket of sand. Periodically check work area for smoldering embers or smoke. It is a good idea to have someone help watch for possible fires while you are welding. Sparks and hot metal may travel a long distance. They may go into cracks in walls and floors and start a fire that would not be immediately visible. Here are some things you can do to reduce the possibility of fire or explosion:

- * Keep all combustible materials including rags and spare clothing away from area.
- * Keep all flammable fuels and liquids stored separately from work area.
- * Visually inspect work area when job is completed for the slightest traces of smoke or embers.
- * If welding or cutting outside, make sure you are in a cleared off area, free from dry tender and debris that might start a forest or grass fire.

* Do not weld on tanks, drums or barrels that are closed, pressurized or anything that held flammable liquid or material.



Metal is hot after welding or cutting! Always use gloves and or tongs when handling hot pieces of metal. Remember to place hot metal on fire-proof surfaces after handling. Serious burns and injury can result if material is improperly handled.



WARNING! Faulty or poorly maintained equipment can cause injury or death. Proper maintenance is your responsibility. Make sure all equipment is properly maintained and serviced by qualified personnel. Do not abuse or misuse equipment.



Keep all covers in place. A faulty machine may shoot sparks or may have exploding parts. Touching uncovered parts inside machine can cause discharge of high amounts of electricity.



Do not allow employees to operate poorly serviced equipment. Always check condition of equipment thoroughly before start up. Disconnect unit from power source before any service attempt is made and for long term storage or electrical storms.



Further information can be obtained from The American Welding Society (AWS) that relates directly to safe welding and plasma cutting. Additionally, your local welding supply company may have additional pamphlets available concerning their products. Do not operate machinery until you are comfortable with proper operation and are able to assume inherent risks of cutting or welding.

TABLE OF CONTENTS

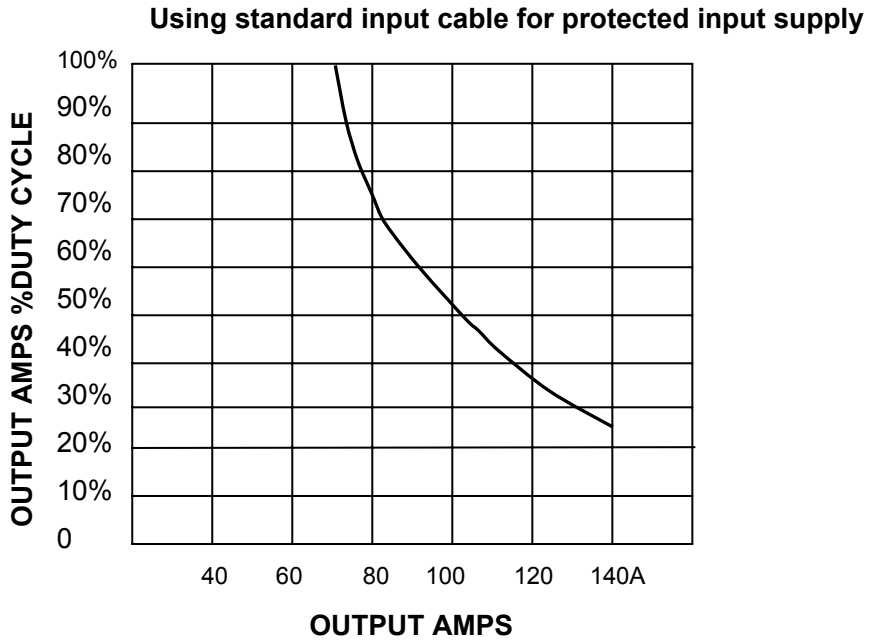
	Page
SAFETY PRECAUTIONS	
Installation	Section A
Technical Specifications.....	A-1
Output Amps %duty cycle.....	A-2
Select Suitable Location.....	A-3
Stacking.....	A-3
TRANSPORT - UNLOADING	A-3
Tilting.....	A-3
Environmental Area.....	A-3
Machine Grounding and High Frequency Interference Protection.....	A-4
Input Connections.....	A-4
Reconnect Procedure.....	A-5
Attachment Plug Installation, Engine Driven Generator.....	A-5
Output Connection for MIG Welding.....	A-6
Work Cable Connection.....	A-6
Shielding Gas Connection.....	A-6
Operation	Section B
Safety precautions.....	B-1
Product Description.....	B-2
Welding Capability.....	B-2
Limitations.....	B-2
Control Panel.....	B-3
Operating steps.....	B-5
Welding in MIG mode.....	B-11
Maintenance	Section C
Safety Precautions.....	C-1
Routine and periodic Maintenance.....	C-1
Troubleshooting	Section D
How to Use Troubleshooting Guide.....	D-1
Input Filter Capacitor Discharge Procedure.....	D-1
Troubleshooting Guide.....	D-2
Wiring Diagram	Section E
Main circuit wiring Diagram	E-1
Accessories	Section F
Parts Lists (COMPONENT LISTS).....	Appendix

TECHNICAL SPECIFICATIONS -

max. rated Output Amps @% Duty Cycle (Based on a 10 minute cycle) (Example; 140A@25% forMIG)

Model		ProMig140
Power Supply Voltage		1xAC110V,50/60Hz
Fuse rating		40A
MIG	No-load Voltage	70V
	Welding Cur. Adjusting Range	25-140A
	Voltage adjusting Range	14±3V~21±3V
	Rated Output Current	140A
	Suitable wire	0.6 , 0.8
	Rated Duty Cycle	140A/21V the duty cycle is 25% 90A/18.5V the duty cycle is 60% 70A/17.5V the duty cycle is 100%
MEfficiency		$\eta \geq 0.85$
Power factor		$\lambda=0.8$
Insulation class		F
Protection Class of enclosure		IP21S

Chart gives max. rated Output Amps @% Duty Cycle (Based on a 10 minute cycle) (Example; 140A@25% for MIG)



(1)

Wiring and protection based on the IEC60974.1 National Electric Code: Use a Super Lag type fuse or circuit breaker with a delay in tripping action. Models with NEMA 6-50P plug may be used with a 50 amp protected 6-50R receptacle, or with a maximum 70 amp protected 6-50R receptacle if dedicated for the welder.

SAFETY PRECAUTIONS

Read entire installation section before starting installation.

WARNING



ELECTRIC SHOCK can kill.

- Only qualified personnel should perform this installation.
- Turn the input power OFF at the disconnect switch or fuse box

before working on this equipment.

- Do not touch electrically hot parts.
- Always connect the MACHINE to a power supply grounded per the National Electrical Code and any local codes.

SELECT SUITABLE LOCATION

Place the welder where clean cooling air can freely circulate in and out through the rear louvers. Dirt, dust or any foreign material that can be drawn into the welder should be kept at a minimum. Failure to observe these precautions can result in excessive operating temperatures and nuisance shut-downs.

GRINDING

Do not direct grinding particles towards the welder. An abundance of conductive material can cause maintenance problems.

STACKING

The machine cannot be stacked.

TRANSPORT - UNLOADING



Never underestimate the weight of the equipment.



Never make the cargo pass or leave it suspended over people or things.

Neither let the equipment or the single unit fall, nor put it down with force.

Once it has been removed from the packing, the power source can be used to move it in the hand or on the shoulder.

WARNING



FALLING EQUIPMENT cause injury

- Never lift welder with gas cylinder attached.
- Never lift welder above personnel.

TILTING

Each machine must be placed on a secure, level surface, either directly or on a recommended undercarriage. The machine may topple over if this procedure is not followed. 10°

ENVIRONMENTAL RATING

The welding machine power source carries an IP21s environmental rating. It may be used in normal industrial and commercial environments. Avoid using it in environments which have falling water such as rain.

Read and follow "Electric Shock Warnings" in the Safety section if welding must be performed under electrically hazardous conditions such as welding in wet areas or on or in the workpiece.

MACHINE GROUNDING AND HIGH FREQUENCY INTERFERENCE PROTECTION

This welder must be grounded! See your local and national electrical codes for proper grounding methods.

The high frequency generator, being similar to a radio transmitter, may cause radio, TV and electronic equipment interference problems. These problems may be the result of radiated interference. Proper grounding methods can reduce or eliminate radiated interference.

Radiated interference can develop in the following four ways:

- 1 Direct interference radiated from the welder.
- 2 Direct interference radiated from the welding leads.
- 3 Direct interference radiated from feedback into the power lines.
- 4 Interference from re-radiation of "pickup" by ungrounded metallic objects.

Keeping these contributing factors in mind, installing equipment per the following instructions should minimize problems.

1 Keep the welder power supply lines as short as possible and enclose as much of them as possible in rigid metallic conduit or equivalent shielding for a distance of 50 feet (15.2m). There should be good electrical contact between this conduit and the welder case ground. Both ends of the conduit should be connected to a driven ground and the entire length should be continuous.

2 Keep the work and electrode leads as short as possible and as close together as possible. Lengths should not exceed 25 ft (7.6m). Tape the leads together when practical.

3 Be sure the torch and work cable rubber coverings are free of cuts and cracks that allow high frequency leakage.

4 Keep the torch in good repair and all connections tight to reduce high frequency leakage.

5 The work piece must be connected to an earth ground close to the work clamp, using one of the

following methods:

a) A metal underground water pipe in direct contact with the earth for ten feet or more.

b) A 3/4" (19mm) galvanized pipe or a 5/8" (16mm) solid galvanized iron, steel or copper rod driven at least eight feet into the ground.

The ground should be securely made and the grounding cable should be as short as possible using cable of the same size as the work cable, or larger. Grounding to the building frame electrical conduit or along pipe system can result in reradiation, effectively making these members radiating antennas.

6 Keep cover and all screws securely in place.

7 Electrical conductors within 50 ft (15.2m) of the welder should be enclosed in grounded rigid metallic conduit or equivalent shielding, wherever possible. Flexible metallic conduit is generally not suitable.

8 When the welder is enclosed in a metal building, the metal building should be connected to several good earth driven electrical grounds (as in 5 (b) above) around the periphery of the building.

Failure to observe these recommended installation procedures can cause radio or TV and electronic equipment interference problems and result in unsatisfactory welding performance resulting from lost high frequency power.

INPUT CONNECTIONS

Be sure the voltage, phase, and frequency of the input power is as specified on the rating plate, located on the rear of the machine.

Have a qualified electrician provide input power supply to the receptacle or cord in accordance with all local and national electrical codes. Use a single phase line or one phase of a two or three phase line.

Choose an input and grounding wire size according to local or national codes. Refer to **the Technical Specifications** page at the beginning of this section. Fuse the input circuit with the recommended super lag fuses or delay type circuit breakers.

Using fuses or circuit breakers smaller than recommended may result in "nuisance" shut-off from welder inrush currents even if not welding at high currents.

¹Also called "inverse time" or "thermal/magnetic" circuit breakers; circuit breakers which have a delay in tripping action that decreases as the magnitude of the current increases.

INPUT RECONNECT PROCEDURE

The design of the ProMig 140 is compact and able to travel almost anywhere 110V service is available. For maximum output capability, a 30 amp circuit breaker is needed, with a minimum of a 20 amp slow trip circuit breaker recommended. If operating on a 15 amp circuit near the maximum amp/volt settings of the welder the circuit breaker may trip. If this happens, reduce the settings on the welder.

WARNING

ELECTRIC SHOCK can kill.



Turn the input power OFF at the disconnect switch or fuse box before working on this equipment.
. Have a qualified electrician install and service this

equipment.

- . Turn the input power OFF and unplug the machine from the receptacle before working on this equipment.
- . Allow machine to sit for 5 minutes minimum to allow the power capacitors to discharge before working inside this equipment.
- . Do not touch electrically hot parts.
- . Machine must be plugged into a receptacle that is grounded according to the National Electrical Code and local codes.
- . Do not remove or defeat the purpose of the power cord ground pin.

RECONNECT PROCEDURE

The Inverter machine reconnects to 115V supply. Fuse the input circuit with time delay fuses or delay type¹ circuit breakers. Using fuses or circuit breakers smaller than recommended may result in "nuisance" shut-offs from welder inrush currents even if not welding at high currents.

The Inverter machine is recommended for use on an individual branch circuit.

¹Also called "inverse time" or "thermal/magnetic"

circuit breakers.

These circuit breakers have a delay in tripping action that decreases as the magnitude of the current increases.

ATTACHMENT PLUG INSTALLATION

Connect the white (neutral) wire under terminal clamp with silver screw, and black (hot) wire under terminal clamp with brass screw. Connect green wire under terminal clamp with green screw.

WARNING

. Failure to wire as instructed may cause personal injury or damage to equipment. To be installed or checked by an electrician or qualified person only.

In all cases, the green or green/yellow grounding wire must be connected to the grounding pin of the plug, usually identified by a green screw.

Attachment plugs must comply with the Standard for Attachment Plugs and Receptacles,.

The product is considered acceptable for use only when an attachment plug as specified is properly attached to the supply cord.

For use on engine drives, keep in mind the above input draw restrictions and the following precaution.

ENGINE DRIVEN GENERATOR

The Inverter machine can be operated on engine driven generators as long as the 110/115/120 volt auxiliary meets the following conditions:

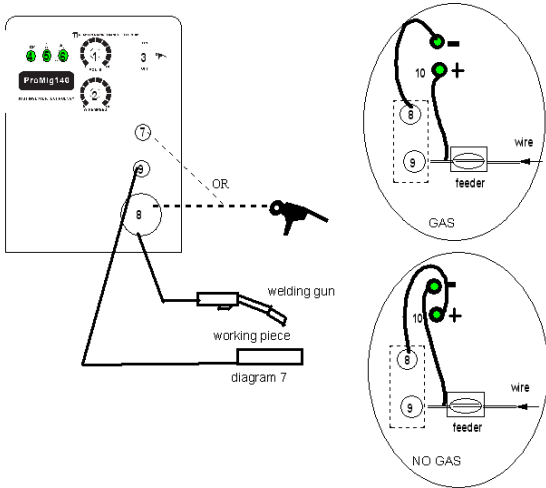
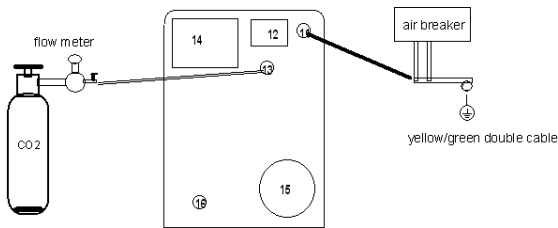
- . The AC waveform peak voltage is below 400 volts.
- . The AC waveform frequency is between 45 and 65Hz.

The following Lincoln engine drives meet these conditions when run in the high idle mode:

- Ranger 250,305
- Commander 300, 400, & 500

Some engine drives do not meet these conditions (e.g. Miller Bobcats, etc). Operation of the Inverter machine is not recommended on engine drives not conforming to these conditions. Such drives may deliver unacceptably high voltage levels to the Inverter machine power source.

CONNECTIONS FOR MIG WELDING



WORK CABLE CONNECTION

Next, connect the work cable to the “-” output terminal in the same way.

Interference Protection section of this manual for the proper procedure on grounding the work clamp and work piece.

SHIELDING GAS CONNECTION

Obtain the necessary inert shielding gas (usually argon). Connect the cylinder of gas with the pressure regulator and flow gage. Install the gas hose between the regulator and gas inlet (located on the rear of the welder).



CYLINDER could explode if damaged.

Keep cylinder upright and chained to a support.
Keep cylinder away from areas where it could be damaged.

Never allow the torch to touch the cylinder.
Keep cylinder away from live electrical circuits.

Maximum inlet pressure 60 psi.
 A cylinder is loaded by leaning it slightly sideways and rocking it up on the platform, being careful not to allow the Under-Storage Cart to roll. Secure the cylinder in place with the provided chain. Unload by following these steps in reverse.

Read and understand this entire section before operating the machine.

SAFETY PRECAUTIONS

⚠ WARNING

ELECTRIC SHOCK can kill.



- Do not touch electrically live parts or electrode with skin or wet clothing.
- Insulate yourself from work and ground.

- Always wear dry insulating gloves.

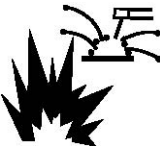
Read and follow "Electric Shock Warnings" in the Safety section if welding must be performed under electrically hazardous conditions such as welding in wet areas or on or in the workpiece.

FUMES AND GASES can be dangerous.



- Keep your head out of fumes.
- Use ventilation or exhaust at the arc, or both, to remove fumes and gases from breathing zone and general area.

WELDING SPARKS can cause fire or explosion



- Keep flammable material away.
- Do not weld on containers that have held combustibles.

RC RAYS can burn.



Wear eye, ear and body protection.

Only qualified personnel should operate this equipment. Observe additional Safety Guidelines detailed in the beginning of this manual.

GRAPHIC SYMBOLS THAT APPEAR ON THIS MACHINE OR IN THIS MANUAL



INPUT POWER



POSITIVE OUTPUT



NEGATIVE OUTPUT



DIRECT CURRENT



PROTECTIVE GROUND



WARNING OR CAUTION



DO NOT SWITCH WHILE WELDING

PRODUCT DESCRIPTION

The ProMig140 operates on 110/120V single phase input and comes equipped with a standard 120V NEMA 15-5P plug for convenient use in almost any standard 120V outlet. The ProMig140's IGBT inverter design is rated for 25% duty cycle at 140 amps. It is designed to consume less power, provide better arc stability and offer better duty cycle over transformer welders in the 120V input class. There are no tapped settings which prevent fine adjustment of either voltage or wire speed. Both amps (wire speed) and voltage are infinitely adjustable within their ranges.

Basic Design and Construction. The ProMig140 features an advanced IGBT inverter design, with plug and play circuits and controls for maximum service-ability and lifespan. The unit has a full time high speed fan which maintains temperature levels providing increased duty cycle and performance. A heavy duty wire feeder mechanism features cast aluminum and steel construction for long life.

The unit will accommodate 4" (1-2lb) and 8" (10-12lb) rolls of wire and features rapid tool-free, wire spool installation. Gun connection is quick with the tool-free design of the Euro quick connect fitting. The Work clamp is equally easy to install, and features a 25 series DINSE style connector.

For transport or storage both MIG gun and work clamp can be disconnected in less than 15 seconds. The standard drive rolls included with the unit are designed for use with .023"-.035" solid wire. The smaller groove (.6mm) should be used with .023-.027" wire. The larger groove (.8mm) should be used with .030 and .035 wire. For general purpose use, Our company recommends that .030" ER70S-6 wire be used for most general purpose welding. This diameter wire and class is designed to work well with the amp output range that the ProMig140 delivers. Special applications like aluminum may be welded with the optional spool gun. It is possible to weld aluminum with the main feeder and gun, but a special gun liner must be purchased and a harder wire such as 5356 should be used to prevent "bird's nesting" of the wire. Stainless can easily be welded with either the spool gun or the standard gun. Using a spool gun may be a more practical choice if welding smaller projects with stainless or aluminum since both stainless and aluminum wires are expensive. **Either coated (copper or other**

coatings) or uncoated steel wire may be used for welding steel as long as it remains rust-free and clean.

. NOTE: For flux core use, special drive rolls with a serrated design may be purchased from our company.

PROCESS LIMITATIONS

The machines are not recommended for arc gouging due to its limited output capacity, and are also not recommended for pipe thawing.

RECOMMENDED EQUIPMENT/INTERFACE

(See Installed Options in Accessories Section for more details)

The machines will be available as a basic Machine (Only) and in Factory Basic module will also be available as with Domestic.

(SEE PACKING LIST,PLEASE)

EQUIPMENT LIMITATIONS

The machines are protected from over loads beyond the output ratings and duty cycles, per the Specifications in the Installation Section, with Thermostat protection of the output power coils and rectifiers.

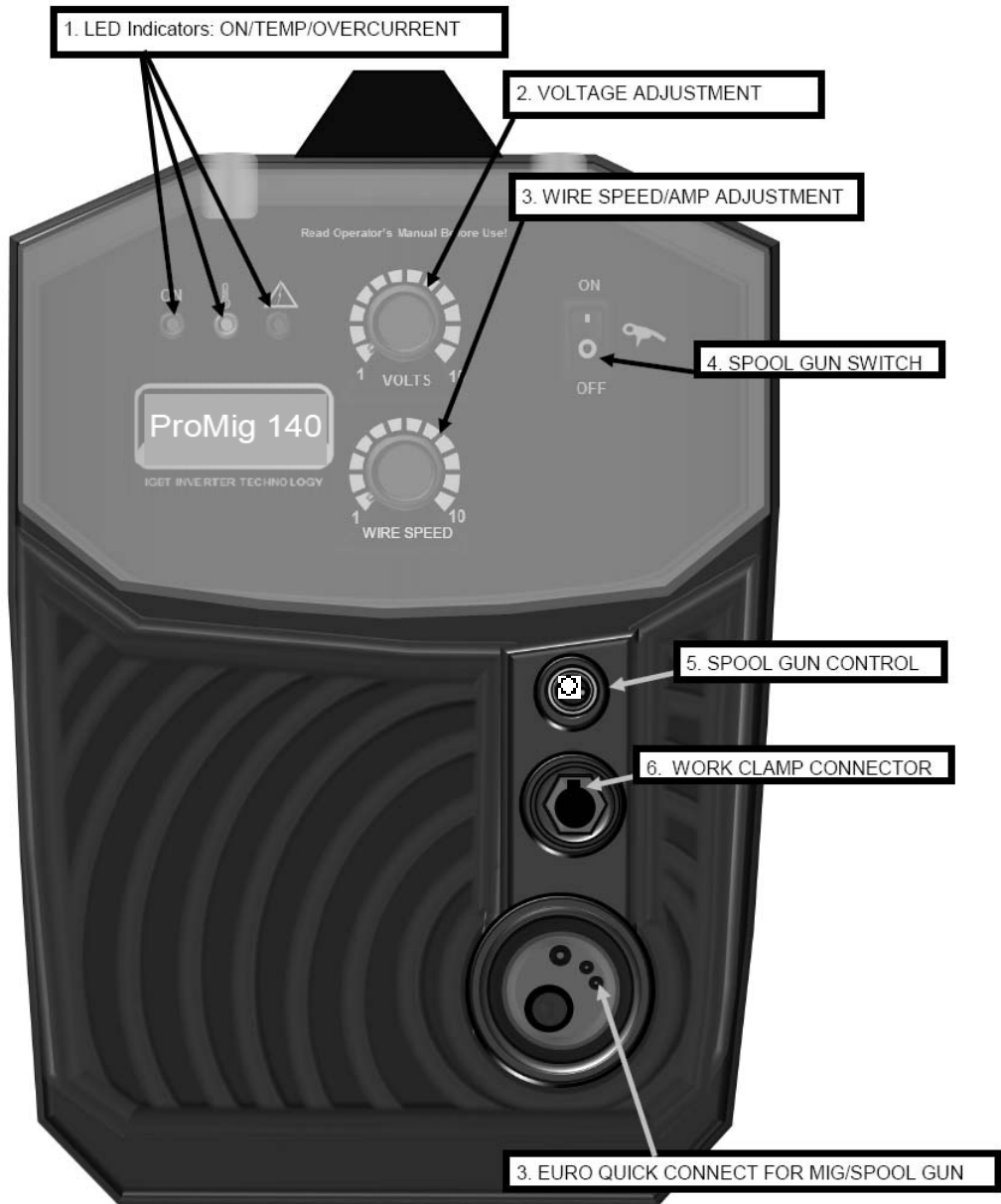
WELDING CAPABILITY(Duty Cycle)

The machine is rated at 140 amps, 21volts, at 25% duty cycle on a ten minute basis. It is capable of higher duty cycles at lower output currents. See rated output graph, on specification sheet located in the Installation Section. If the duty cycle is exceeded, a thermal protector will shut off the output until the machine cools.

CONTROLS AND SETTINGS

FIGURE B.1 CONTROL PANEL

FRONT PANEL



Front Panel:

1. LED Indicators. The LED'S indicate the existing status of the machine. The On indicator is lit any-time the machine is turned on . The amber color light will be lit when the duty cycle has been exceeded. When it is lit, welding will be interrupt-ed. (The wire will continue to feed but will not arc when the trigger is pressed.) If the duty cycle is exceeded, allow the unit to cool for 15 minutes before resetting the machine by powering it off and back on. Do not turn the welder off until the unit has sufficiently cooled. If the red over-current light is lit, welding will also be interrupt-ed. If this light comes on, an overcurrent/overvoltage or under voltage has occurred. Check wiring such as extension cords and circuit breakers for sufficient current carrying capacity. Also check to see if slag has bridged the space between the contact tip and the shielding gas nozzle or if the wire stick out is too long. Occasionally this may occur when using larger wire (.035") at or near maximum settings with a long stick out of the wire. Once the cause has been remedied, turn the power off and back on to re-set the welder. If the light does not clear after remedying the cause, contact Our company technical support for further diagnosis.

2. Voltage Selector. The voltage selector increases and decreases the voltage incrementally through-out the range. Increasing the voltage helps im-prove wet in and puddle fluidity. Too little volt-age results in a ropey, narrow weld with poor fusion. Too much voltage results in an erratic, violent arc and undercutting.

3. Wire Speed/Amp Selector. The wire speed se-lector controls amperage throughout the range by varying the speed of the wire. The relation-ship between wire feed speed and amps is a di-rect one. Increasing one, increases the other. Actual amp output at the same given wire speed will vary with different diameter wires.

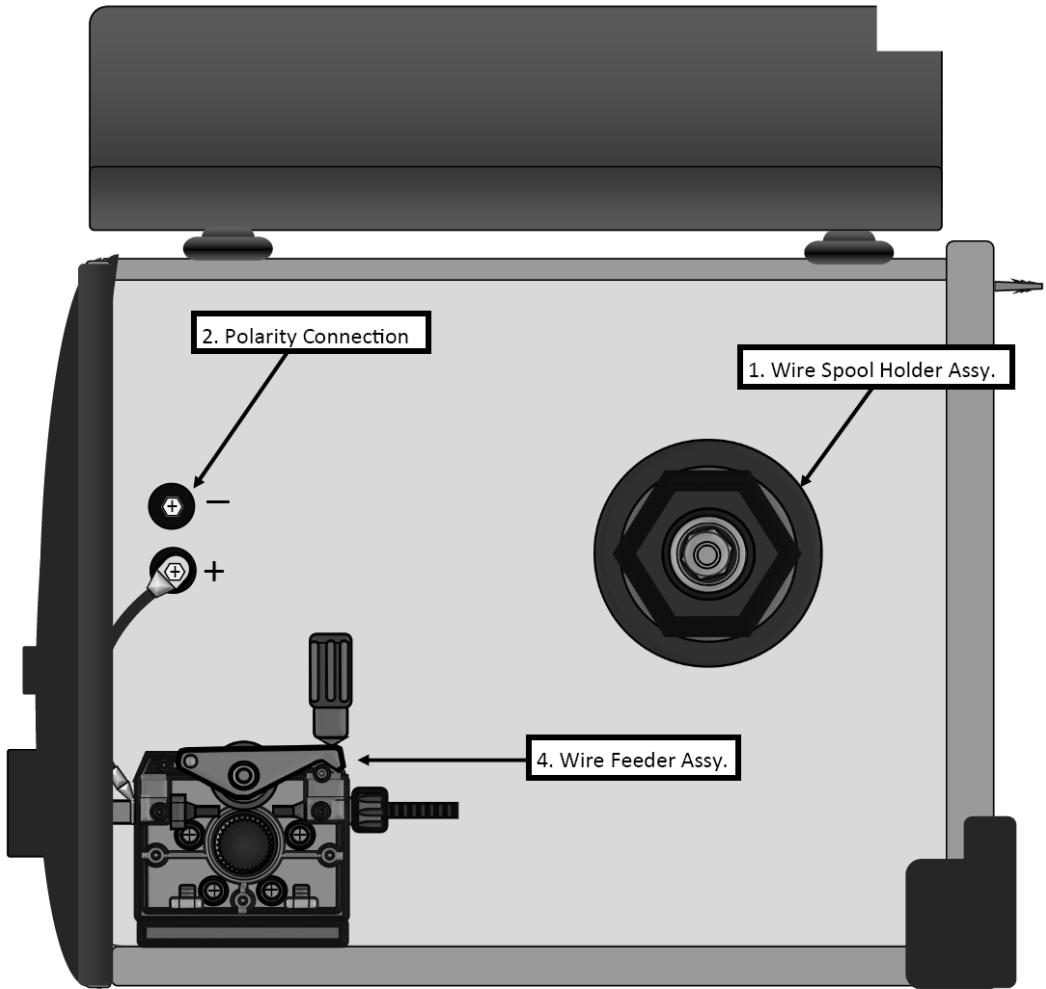
4. Spool Gun Switch. This switch changes the units output to the spool gun. The spool gun connects to the main Euro connection, and wire speed/voltage control is retained on the panel.

5. Spool Gun Connector. The spool gun control wire is connected directly to this 2 pin connector. This provides On/Off control of spool gun feed-ing. It does not provide welding power.

6. Work Clamp Connector. This is where the work clamp connects to the welder. This is a DINSE 25 style connector. The work clamp cable can be lengthened by removing the rubber cover. Firmly grip the cover and slide it back. Under the con-ector is a set screw that retains the cable. If arc starting becomes irregular or difficult, check to ensure the work clamp and cable are in good repair that the cable is tight in the connector.

7. Euro Connector. The Euro connector provides rapid and secure connection of the MIG gun without having to use tools. Use only hand pres-sure to tighten the connector. Do not over-tighten the plastic retainer collar. Both the MIG gun and optional spool gun connect to this point. Both the spool gun and MIG gun cannot be con-nected at the same time.

SIDE VIEW



Side Panel:

1. Wire Spool Carrier Assembly. The wire spool holder is designed to accommodate 4" and 8" wire spools. To install the wire, remove the thumb nut and the pressure spring from the outer collar and remove the collar. Note that the outer collar has two possible ways to be installed. The hub on the outer collar has a shallow and a deep side. The deep side should be facing out when installing 8" rolls. When installing 4" rolls, the shallow side should be turned out. When installing 4" rolls, the outer collar will serve to sandwich the smaller spool on the steel shaft preventing side to side movement. When installing an 8" roll, the wire collar will serve as the carrier for the larger diameter roll. When the outer hub is correctly inserted into the 8" roll, the retaining lip on the collar will be snug against the roll when the spring and thumb nut are installed. If there is a gap between the retaining lip on the collar and the wire roll, then it is installed correctly. Flip the collar over. Tension the wire roll with the thumb screw and spring so that it does not continue to spool wire when quickly turned. It should turn easily, but continue to de-spool the wire more than a 1/4 turn when spun quickly by hand. NOTE: Make sure the wire roll is installed with the wire rolling off the bottom of the spool and the spool is rotating clockwise. Feeding problems will be encountered if the wire is fed off the top of the roll.

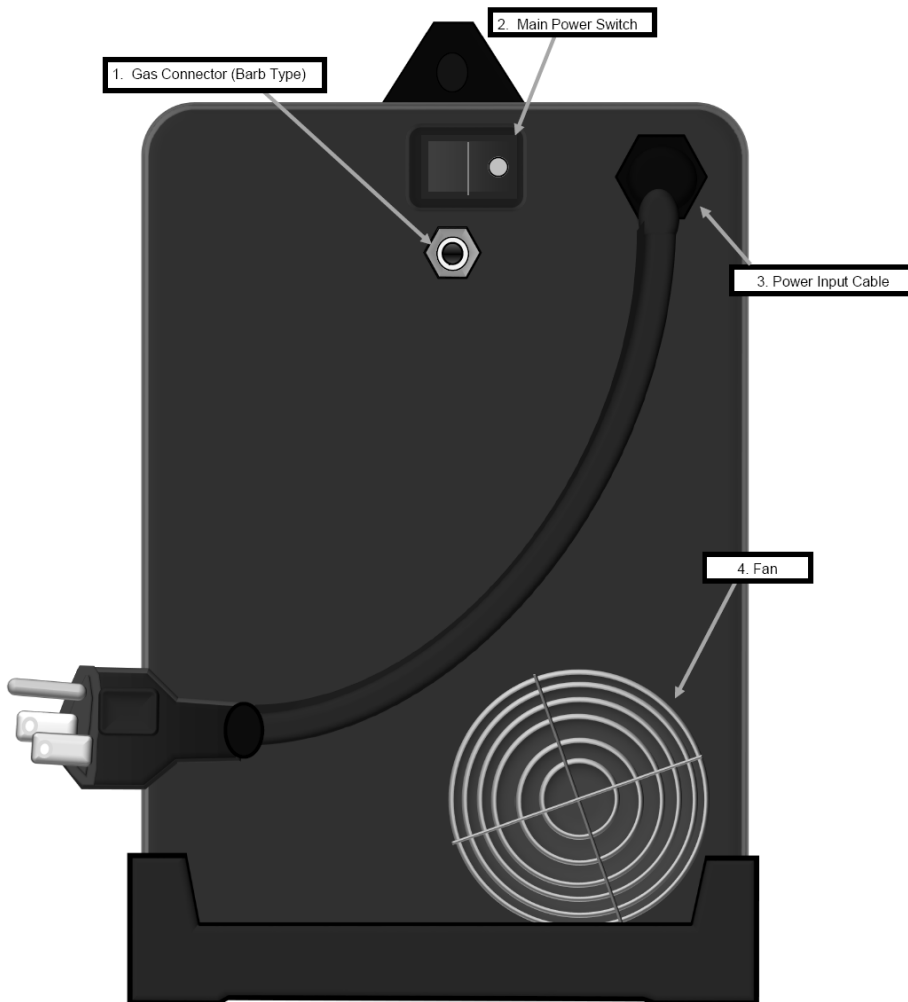
2. Polarity. Note the "+" and "-" symbols located on the inside of the unit above the wire feed mechanism. To change the polarity of the MIG torch, simply loosen the screws and remove the cable and install it on the other terminal. ***Standard polarity for MIG is (+) positive (DCEP) with the work clamp serving as the (-) negative output terminal. (Also known as reverse polarity). For flux core use see the wire manufacturer's direction for polarity recommendation.***

3. Wire Feed Assembly. Note the numbers on the side of the tensioner. These numbers are a reference point to help properly tension the wire so that the drive roller will not slip. Do not over-tension the wire because it can create a condition known as birds nesting, where the wire will tangle around the feeder or jam in the gun. It may not slip if wire burns back into tip, stuck fast in weld or other resistance is met. This will continue to wrap the wire around the drive mechanism or jam wire inside the gun liner until trigger is released. Considerable effort is usually needed to clear a bird's nest condition. Too little tension will result in wire slippage and fast wear on the drive components. Test the tension of the wire and inspect for proper feeding before beginning a weld. Occasional cleaning of the feeder mechanism is necessary to prevent wear and damage to the feeder and to the MIG gun liner. Regularly monitor any metal flaking and dirt build up that may occur around the feeder. Clean it away gently with compressed air as necessary. Use proper safety attire while doing this, i.e. glasses, gloves etc. to prevent injury. Do not use cleaners or solvents. Felt wire lubricators may be bought and used to keep feeding cleanly while using steel or stainless wire. You may purchase additional drive rolls from Our company for flux core use.

NOTE: If erratic feeding is experienced, check wire feed tensioner, spool tension (rolling resistance) and for correct size groove. Also make sure the wire is riding in the groove and not on the shoulder of the lower drive roll.

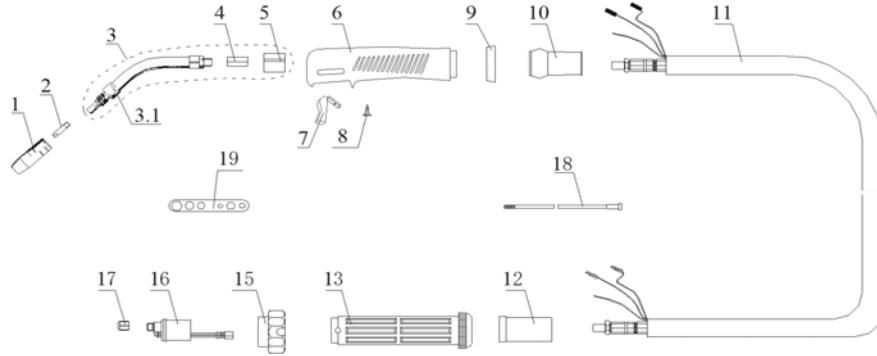
NOTE: The unit may continue to run for up to 5 seconds after it is shut off while the capacitors discharge. This is normal and not a defect.

REAR VIEW/BACK PANEL

*Rear Panel:*

- 1. Gas Supply.** Connect the Gas regulator hose to this point via the brass barb fitting. The hose barb connection must be tight to prevent gas leakage. Install an extra clamp if needed to prevent gas from escaping. Test for leaks with soapy water. Do not leave gas valve open on cylinder when not attended or in use.
- 2. Power Switch.** Turns unit on or off.
- 3. Power Input Cable.** The unit operates on 110/120V input power. This is a standard NEMA 5-15P plug used in North America.
- 4. Fan.** The welder fan is designed to run continuously while the unit is switched on. It may continue to run for up to 5 seconds after the welder has been switched off while the capacitors discharge. This is normal and not an issue. Keep at least 18" away from obstructions to allow proper cooling. Do not allow grinder dust or sparks to enter the fan. Periodically inspect fan for metal dust build up. Metal particles can build up on the fan over time and can unbalance the fan and damage it.

EXPANDED VIEW OF MIG TORCH



NO.	PARTS	QTY
1	Diffuser D.12 14-15AK	1
2	Contact Tip 0.8/M6*25	1
3	15AK Goose gun neck assy.	1
4	Adapter for goose neck	1
5	Plastic adapter	1
6	MIG gun handle	1
7	Torch switch 21.8mm	1
8	Screw D.3*10	3
9	Handle locking ring	1
10	Articulating joint 15AK	1
11	Coaxial cable assy /16mmq/3m	1
12	Cable thimble 12-16-25 MMQ	1
13	CO ₂ Euro-rear connector handle	1
14	Retaining Screw M4*6 UNI 6107	1
15	Knurled locking nut	1
16	Euro-main connector	1
17	Securing nut for gas input	1
18	Insulating feed pipe 0.6-0.8 3m, Blue	1
19	Contact Tip Wrench	1

NOTE: Some components may appear slightly different as design/supplier changes are made from time to time. At time of publication, the standard torch provided with this unit is the Trafimet Ergo Plus 15.

TO INSTALL MIG GUN/TORCH:

- A. Align pins on with the feeder receptacle.
 - B. Fully engage the connector into the receptacle.
 - C. Twist knurled nut (#15) on connector until the nut is snug.
- DO NOT OVERTIGHTEN! USE HAND PRESSURE ONLY.**

NOTE: Over time, pressure on the drive rolls causes metal fragments from the filler wire's surface to find its way to the gun cable liner. If the wire guide is not cleaned, it can gradually clog up and causes wire feed malfunctions. If feeding difficulty is observed, clean the liner in the following manner:

- 1) Remove the welding gun's gas nozzle, contact tip and contact tip's adapter.
- 2) With an air nozzle below compressed air through the wire guide. Wear eye protection!
- 3) Blow out the wire feed mechanism and reel housing with dry compressed air.
- 4) Reassemble components. Tighten the contact tip and contact tip's adapter to spanner tightness.

The MIG torch liner may eventually become worn and will need to be replaced. When welding aluminum, a Teflon liner must be used, necessitating a liner change. A spool gun is the preferred method to weld Al. To change the liner:

- 1) Remove the securing nut of the liner (#17) which exposes the end of the wire guide.
- 2) Straighten the gun cable and withdraw the liner from the gun.
- 3) Carefully push a new wire guide in to the gun. Make sure that the wire guide travels all the way to the contact tip.
- 4) Make sure the O-ring at the machine-end of the gun is installed
- 5) Tighten the wire guide in place.
- 6) Cut the liner 2mm from the mounting nut and file the sharp edge of the liner.
- 7) Reattach the gun and tighten all parts.
- 8) Re-thread wire.

GENERAL NOTES:

1. While welding aluminum with the Spool gun or MIG gun you must use 100% argon. You cannot use a mix as you would with steel or stainless.

2. While welding aluminum with the Spool gun or MIG gun you must use the next size up tip or a special oversize tip for the wire because the heat will cause the aluminum wire to swell and it will either drag or seize in the tip.

3. While welding aluminum with the MIG process, best results are achieved by using a dedicated stainless steel brush to remove the oxide layer and acetone or aluminum cleaner before welding. Even though aluminum may appear shiny and clean, it still has an oxide layer, and a thin layer of oil left over from the manufacturing process. Some soot will appear in most MIG welds but if a lot is noticed, you have either contaminated metal, or insufficient gas flow. You can also induce turbulence by having too much of a torch angle. Start with a 90 degree angle and then lean the gun slightly (about 15 degrees) to the "push" position.

4. Welding aluminum is not a short circuit process. It is a spray transfer process. Spray transfer is a process that can be used to weld many metals, but in Aluminum it must be used to weld correctly. In spray transfer, the wire does not short out against the weld material. Instead a steady "spray" of droplets of molten metal pinches off before the wire can contact the material. It is a much quieter process. If you are not familiar with the spray transfer process, please research it before you try it. If you incorrectly adjust the welder while welding aluminum in the MIG process, you will burn up contact tips almost instantly.

5. If you are trying to weld Aluminum with .025 wire or smaller, you may not achieve adequate results because of the higher wire feed speeds needed. Try stepping up to the next wire size and wire feed speed rate requirements will drop.

6. If using with a generator, use with only a generator rated or certified for clean power output. This a rating given by the manufacturer of the generator if the total harmonic distortion is

10% or less (usually 5% or less). A generator that does not produce clean power can cause erratic operation and damage to the welder's electronics. Ideally a generator capable of generating 3500 watts or more should be used.

7. MIG burn back is a common condition where the wire may burn back and fuse with the contact tip while welding or after the trigger is released. If the burn back is slight, allow the tip to cool slightly and remove the tip from the gun feeding extra wire as necessary to get the tip fully removed. Usually, with a little twisting effort the wire can be removed from the tip. However, at times the tip may need to be discarded if the burn back has been severe. If burn back is experienced, it is usually a result of too low of wire speed or too short of a stick out while welding. Increase wire speed to help prevent additional events of burn back.

8. Replace the contact tip when the orifice is noticeably enlarged or becomes egg shaped. A worn out contact tip can cause issues with arc stability. Always make sure you are using the correct size tip for the application.

General Reference Information for Operation and Parameters

Table 1 **GENERAL POLARITY RECOMMENDATIONS***

**Consult manufacturer directions of filler material. There are exceptions.*

PROCESS	TORCH POLARITY	WORK POLARITY
MIG (GMAW)	+	-
FLUX CORE (FCAW)	-	+

Table 2 **GAS SELECTION GUIDE**

PROCESS	GAS
MIG (GMAW) STEEL	80/20 Ar/CO2 or 75/25 Ar/CO2
MIG (GMAW) STAINLESS	Tri-Mix (Ar/He/CO2)
MIG (GMAW) ALUMINUM	100% Argon

Table 3 **MIG (GMAW) CURRENT/WIRE/THICKNESS GENERAL SUGGESTIONS**

Material Thickness ¹	Electrode Diameter (inches)	Welding Current (Amps-DC)	Arc Voltage (Electrode Positive)	Wire Feed Speed (IPM)	Travel Speed (IPM)	Shielding Gas Flow (CFH ²)
24 ga	.030"	35 – 50	15 – 17	85 – 100	12 – 20	15 – 20
22 ga	.030"	40 – 60	15 – 17	90 – 130	18 – 22	15 – 20
20 ga	.035"	55 – 85	15 – 17	70 – 120	35 – 40	15 – 20
18 ga	.035"	70 – 100	16 – 19	100 – 160	35 – 40	15 – 20
1/16"	.035"	80 – 110	17 – 20	120 – 180	30 – 35	20 – 25
5/64"	.035"	100 – 130	18 – 20	160 – 220	25 – 30	20 – 25
1/8"	.035"	120 – 160	19 – 22	210 – 290	20 – 25	20 – 25
1/8"	.045"	180 – 200	20 – 24	210 – 240	27 – 32	20-25
3/16"	.035"	140 – 160	19 – 22	210 – 290	14 – 19	20 – 25
3/16"	.045"	180 – 205	20 – 24	210 – 245	18 – 22	20 – 25
1/4"	.035"	140 – 160	19 – 22	240 – 290	11 – 15	20 – 25
1/4"	.045"	180 – 225	20 – 24	210 – 290	12 – 18	20 – 25

General operation and setup.

1) **Wire Tension.** Always check wire tension before use. Use no more wire tension than is necessary. (See page 15 for adjustment.)

2) **Work Clamp.** MIG welders require good work clamp (ground) contact. Routinely inspect work clamp and cable and make sure they are in good condition and that the cables are held tight in the connectors and are free of corrosion. **Always grind a small clean spot where the work clamp is to be attached. Always connect the work clamp directly to the metal being welded if possible. Hard starting or "machine gunning" at the start of the weld may be a result of a poor ground.**

3) **MIG gun use and maintenance.** Before use make sure that collar on the Euro quick connect has been fully tightened by hand. Do not use tools. Grip the gun firmly when starting the arc to prevent push-off and spattering/popping at the start of the weld. Trim the wire to 1/2" or less and hold the gun just as close to the metal to start the weld. Use nozzle dip or a anti spatter spray to help keep the MIG gun nozzle from becoming plugged with slag. Regularly check and clean the nozzle. Nozzle dip and anti spatter can be bought at almost any welding supply store. It is an economical way to prevent harmful accumulation of slag in and on the nozzle and can be used in the weld area to prevent spatter from sticking to the work-piece. Do not apply too much to the nozzle or directly to the weld area or porosity may occur. Only apply when the protective qualities begin to dissipate. Nozzle dip and anti spatter also provide some lubricity to the contact tip and increases the lifespan and ease of feeding. Make sure to change contact tip size when changing the wire size. **Using too large of a contact tip can cause erratic arc behavior. Using too small of a contact tip can cause jamming.** When welding with aluminum, use a special aluminum contact tip or at least one size larger regular contact tip to accommodate the wire as it expands due to the heat. Over time, the gun liner may become gradually fouled with dirt, metal filings from the coating and other possible contaminants. To prevent this, regularly remove the wire from the cable, and blow dry compressed air down the gun neck with the contact tip removed. If necessary remove the liner and replace it if becomes worn and irregular or difficult feeding or gas flow is observed. **NOTE: (Binzel/Trafimet 15 series) When removing the shielding gas nozzle, twist the nozzle like a screw to install or remove as it grips the nozzle tightly. There is a special retaining spring under the nozzle that acts as a thread. This feature allows you to position the nozzle in order to vary the depth of the contact tip for different welding applications.**

4) **Shielding gas selection and use.** For MIG operation, selection of the proper shielding gas is important. **Remember, each shielding gas mixture and filler metal thickness will require a different setting of voltage and amps.** A 75/25 (75% Argon/25%CO₂) mixture is recommended for general purpose steel welding. This yields the best results in most circumstances. To reduce spatter further, other blends of Ar/CO₂ with higher percentages of Argon (a true inert gas) may be used. The puddle may be difficult to control and cold lap may occur if the mix is over 85% Argon, especially if used in out of position welds. Generally, when there is a higher percentage of Argon present in the mix, the cost of the mix will be greater. Though less desirable, 100% CO₂ may also be used. Greater penetration with a narrower bead profile can be achieved with 100% CO₂. However, extra spatter, smoke and oxidation will be noticed. CO₂ is not a true inert gas so it can impart a dull gray, and even flaky appearance to the weld as it interacts with the molten metal. If 100% CO₂ is used, regularly check to ensure the regulator is not freezing up. CO₂ offers a cheaper option but losses in transfer efficiency (amount of metal actually deposited versus total amount consumed) and extra time spent for cleaning spatter may negate initial cost savings. For Stainless, a commercial Tri-mix of gas is generally used for short circuit transfer. This is usually a proprietary % blend of Argon, Helium, and CO₂. Consult with your local welding supply store. For aluminum, 100% Argon must be used.

5) **Regulator and shielding gas flow adjustment.** NOTE: Regulators may be supplied in LPM or CFH. Please note which has been provided before starting to weld for future reference. The regulator should always be mounted nearly vertical if not with a slight upturn (for safety) so that the ball may float free. **Always stand to the opposite side of the regulator and slowly open the regulator with the front and top of the regulator facing away from you.** Gas flow requirements vary in MIG greatly and a lot depends upon the environment. More gas will be required in open/drafty areas. To avoid wasting shielding gas, perform some preliminary test welds. To adjust, decrease gas flow until the weld begins to bubble and exhibit porosity. Gradually increase the gas flow until the bubbles disappear completely. Crack the adjustment on the regulator an small additional amount to ensure full gas coverage. This process will reduce waste and help ensure you are not introducing oxygen into the weld. As the pressure drops within the cylinder readjustment may be necessary.

6) **MIG polarity.** When using solid MIG wire, the polarity should always be electrode positive. This means the torch should always be connected to the positive (+) terminal when welding with solid wire. To check this, open the cover, and inspect the heavy power cable that runs from the front end of the wire feeder to the bolted terminals on the center divider wall that are marked either with a positive (+) sign or a negative (-) sign. The cable should be screwed down to the terminal marked with the (+) sign for solid wire. For flux core, most (but not all) manufacturers of flux core wire specify the use of negative (-) polarity. Consult the manufacturer's recommendations regarding flux core or dual shield wire polarity before installation. If negative polarity is required, swap the feeder cable to the negative terminal. Always make sure the terminal screw is fully tightened. Do not over tighten the terminal or it may strip out the terminal threads. **If, after switching between solid and flux core wire, an erratic arc is noticed, double check the polarity. This is a commonly overlooked part of the changeover procedure.**

7) **Volt and Amp adjustment.** The welder features infinite adjustment of voltage and wire feed speed within each range. Wire speed adjustment is directly related to amp output and the terms are generally used interchangeably. As wire speed increases so does amperage and vice versa. In many welding charts and calculators, you may find actual amperage settings rather than a wire speed setting. Amperage output also depends upon the diameter of the wire as well. Both volts and amps are calibrated in numbers ranging from 1-10 with infinite adjustment possibility between each number. These are relative numbers and are used only as a reference when repeating the same or similar set-

up. If helpful for setting up the unit, the numbers 1-10 can be thought of as representing 10%-100% of full output for either voltage or wire speed. For each wire diameter, most users will find 3 to 5 settings that will fit their welding style and applications but often the ability to fine tune these settings for specific applications will be needed. **At first, some experimentation will be necessary.** The following method of setting up wire speed and voltage is commonly used by professionals in the industry to setup almost any type MIG. When setting up welding parameters, set the wire speed halfway then begin to lower the voltage until it begins to cold feed into the metal (also referred to as stubbing). Note the point where it begins to do so. Next, raise the voltage until the puddle becomes hot and the arc seems violent and irregular. Note that point as well. Lower the voltage to a point midway between the two extremes where the arc seems to even out. After the voltage is set, gradually adjust the wire feed/amps until the sound of the arc is crisp. Listen to the arc. A steady sizzle, or whine should be present. The weld puddle should be wetting out neatly on the edges of the weld. This sound has often been referred to as a "frying" sound. The sound should be regular, and the arc should be visually stable without significant popping and snapping. The wire should be disappearing easily into the puddle without the arc stopping. If the wire speed is too high, violent popping with bits of flying wire may be noticed. If it is too low the arc will appear to melt the wire before it reaches the puddle and may melt irregularly, even burning back into the tip. **Volts are responsible for how flat and wet the puddle appears.** If too much voltage is used, the weld will appear wide and flat with the edges of the weld possibly exhibiting undercut. This will create weakness in the weld. If too little is used, the weld will appear rope like and may even sit on top of the metal with irregular fusion. **Amperage/Wire speed is responsible for penetration.** If it is set too high for the thickness of metal being

used, burn through can occur, especially on thin gauge material. If welding thin materials such as used in exhaust systems or body work, make sure the wire speed is adjusted to reduce penetration before attempting a voltage change. **General figures for both wire speed and amps can be easily determined.** To determine wire speed, simply press the trigger (without welding) and hold it for 15 seconds. Measure the length of the wire that is run from the torch in 15 seconds and multiply by 4.

This figure is your wire speed in inches per minute (IPM). To roughly determine amps, which are sometimes used by manufacturers for recommend-ed settings, use the following formulas for the fol-lowing wire thicknesses:

.023": IPM/3.5 = Amps

.030": IPM/2 = Amps

.035": IPM/1.6 = Amps

The actual constant given in this formula represents "inches per amp". This formula is only a guide and is only accurate in lower ranges as the function is not tru-ly linear. But it usually will be within the overall range specified by the manufacturer. For each manufacturer, the filler wire diameter amp range may differ some-what, though a general range can be established.

Spool Gun. The spool gun is an optional, but use-ful tool to have for welding small and medium projects aluminum projects that are 3/32" and over in thickness. The spool gun connects directly in place of the regular MIG gun. The Spool gun picks up the gas and power at the Euro connection with a separate control connection for the trigger on the spool gun. Once the spool gun panel switch is flipped, the trigger will control on and off operation of the gun. Wire speed and voltage are still controlled at the panel however. **NOTE: Some guns Our company sells may have a separate control mounted on the spool gun handle for wire speed, but is inoperative and is not used with this unit.** When welding aluminum, the unit should be welded in the spray arc mode. Typically spool guns are good for welding 3/32" and thicker aluminum. Spray arc mode is a mode where the voltage is increased to near maxi-mum voltage for this unit, and wire speed is adjusted so that the wire melts in a steady stream of consistently sized droplets before the wire contacts the metal. A slight hiss will be present if done correctly. There is a threshold for spray arc, and it requires higher voltage and increased wire speed to force it into this mode. This is a quieter mode than regular short circuit with quick wet in and fast forward travel. It's recommended that .030" wire be used to achieve the best results. .023" wire may be used as well, but the unit may not achieve true spray arc mode as it requires more wire speed than the wire feeder can generate. In general, the smaller the wire, the more wire speed is required for spray arc. Larger diameter wire may cause overcur-rents and may not feed well through the gun. More information about spray arc welding with MIG can be found in a variety of educational welding resources online. Read over materials available and watch demonstration videos for more information.

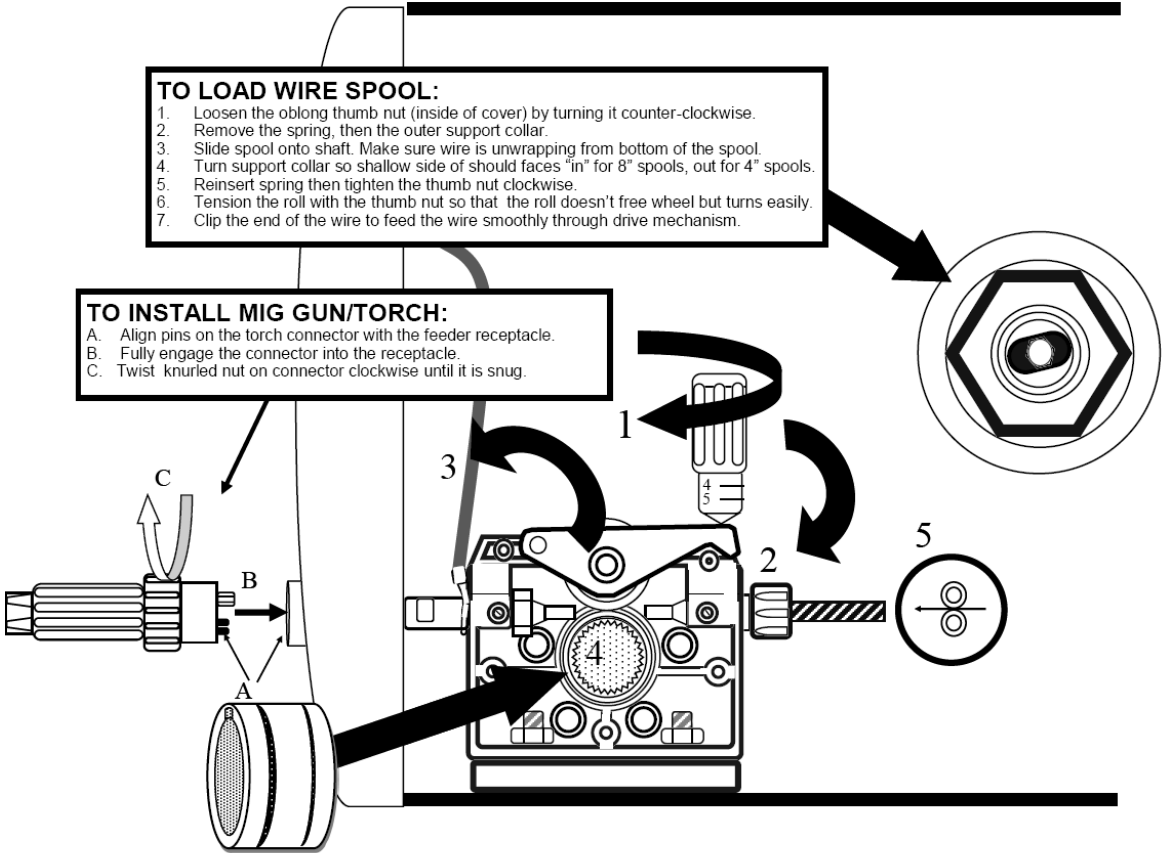
INSTALLATION OF FILLER WIRE AND MACHINE SETUP

TO LOAD WIRE SPOOL:

1. Loosen the oblong thumb nut (inside of cover) by turning it counter-clockwise.
2. Remove the spring, then the outer support collar.
3. Slide spool onto shaft. Make sure wire is unwrapping from bottom of the spool.
4. Turn support collar so shallow side of should faces "in" for 8" spools, out for 4" spools.
5. Reinsert spring then tighten the thumb nut clockwise.
6. Tension the roll with the thumb nut so that the roll doesn't free wheel but turns easily.
7. Clip the end of the wire to feed the wire smoothly through drive mechanism.

TO INSTALL MIG GUN/TORCH:

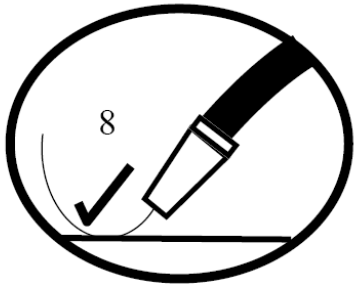
- A. Align pins on the torch connector with the feeder receptacle.
- B. Fully engage the connector into the receptacle.
- C. Twist knurled nut on connector clockwise until it is snug.



TO THREAD WIRE INTO FEEDER:

1. Loosen top idler tensioner, rotating counter-clockwise
2. Flip tensioner down, releasing top drive roll.
3. Raise top drive idler roller.
4. Inspect the drive roll to make sure that the groove size matches the wire diameter. Reversal of the lower roller may be necessary. To reverse the roller, remove the thumb screw securing the drive roll. Pull the drive roll off, and flip the drive roll over. Reassemble and tighten roller. If a flux core roller is needed contact us.
5. Thread straightened wire into coiled sheath and over grooves in lower drive roll. Thread through until it threads into the gun section 3"-4". Lower the upper drive roll onto lower drive roll, keeping the wire securely fixed in the groove of the feed roller. Make sure the wire has been engaged in the correct groove.
6. Raise tensioner back into place. Tighten slightly so wire will feed. Notice markings on tensioner for future reference.
7. Hold torch straight out as possible. Press the gun trigger to feed wire until the wire exits the end of the torch. Remove contact tip if necessary to feed out wire.
8. Adjust tensioner clockwise until drive rolls will not slip when the wire comes into contact with a hard surface (a block of wood) and the wire will curl up on end. Re-member to keep wire away from metal that is attached to the work clamp to pre-vent the wire from accidentally arcing.

Bottom Drive Roll (Standard)
 .6mm=.023"-.025" .8mm=.030"-.035"



SAFETY PRECAUTIONS

⚠ WARNING

ELECTRIC SHOCK can kill.

- Only qualified personnel should per-form this maintenance.
- Turn the input power OFF at the disconnect switch or fuse

box before working on this equipment.

- Do not touch electrically hot parts.

INPUT FILTER CAPACITOR DISCHARGE PROCEDURE

⚠ WARNING

The machine has internal capacitors which are charged to a high voltage during power-on conditions. This voltage is dangerous and must be discharged before the machine can be serviced. Discharging is done automatically by the machine each time the power is switched off. However, you must allow the machine to sit for at least 5 minutes to allow time for the process to take place.

⚠ WARNING

ROUTINE AND PERIODIC MAINTENANCE

- 1 Disconnect power supply lines to machine before performing periodic maintenance.
2. Periodically clean the inside of the machine with a low pressure air system. Be sure to clean the following components thoroughly.
 - Main Transformer
 - Electrode/Gas Output Receptacle
 - Polarity Switch
 - Rectifier Assembly
 - Arc Starter/Spark Gap Assembly
 - PC Boards
 - Fan Blades
- 3 Inspect welder output and control cables for fraying, cuts, and bare spots.
- 4 Keep MIG torch and cables in good condition.
- 5 Clean air louvers to ensure proper air flow and cooling.
- 6 The fan motor has sealed ball bearings which require no maintenance.

⚠ WARNING

FAN MOTOR OR FAN BLADE REPLACEMENT
When installing a new fan blade or fan motor be sure to maintain proper shaft spacing.

HOW TO USE TROUBLESHOOTING GUIDE

 **WARNING**

Service and Repair should only be performed by our Factory Trained Personnel. Unauthorized repairs performed on this equipment may result in danger to the technician and machine operator and will invalidate your factory warranty. For your safety and to avoid Electrical Shock, please observe all safety notes and precautions detailed throughout this manual.

This Troubleshooting Guide is provided to help you locate and repair possible machine malfunctions. Simply follow the three-step procedure listed below.

Step 1. LOCATE PROBLEM (SYMPTOM).

Look under the column labeled "Trouble (SYMPTOMS)". This column describes possible symptoms that the machine may exhibit. Find the listing that best describes the symptom that the machine is exhibiting.

Step 2. POSSIBLE CAUSE.

The second column labeled "POSSIBLE CAUSE" lists the obvious external possibilities that may contribute to the machine symptom.

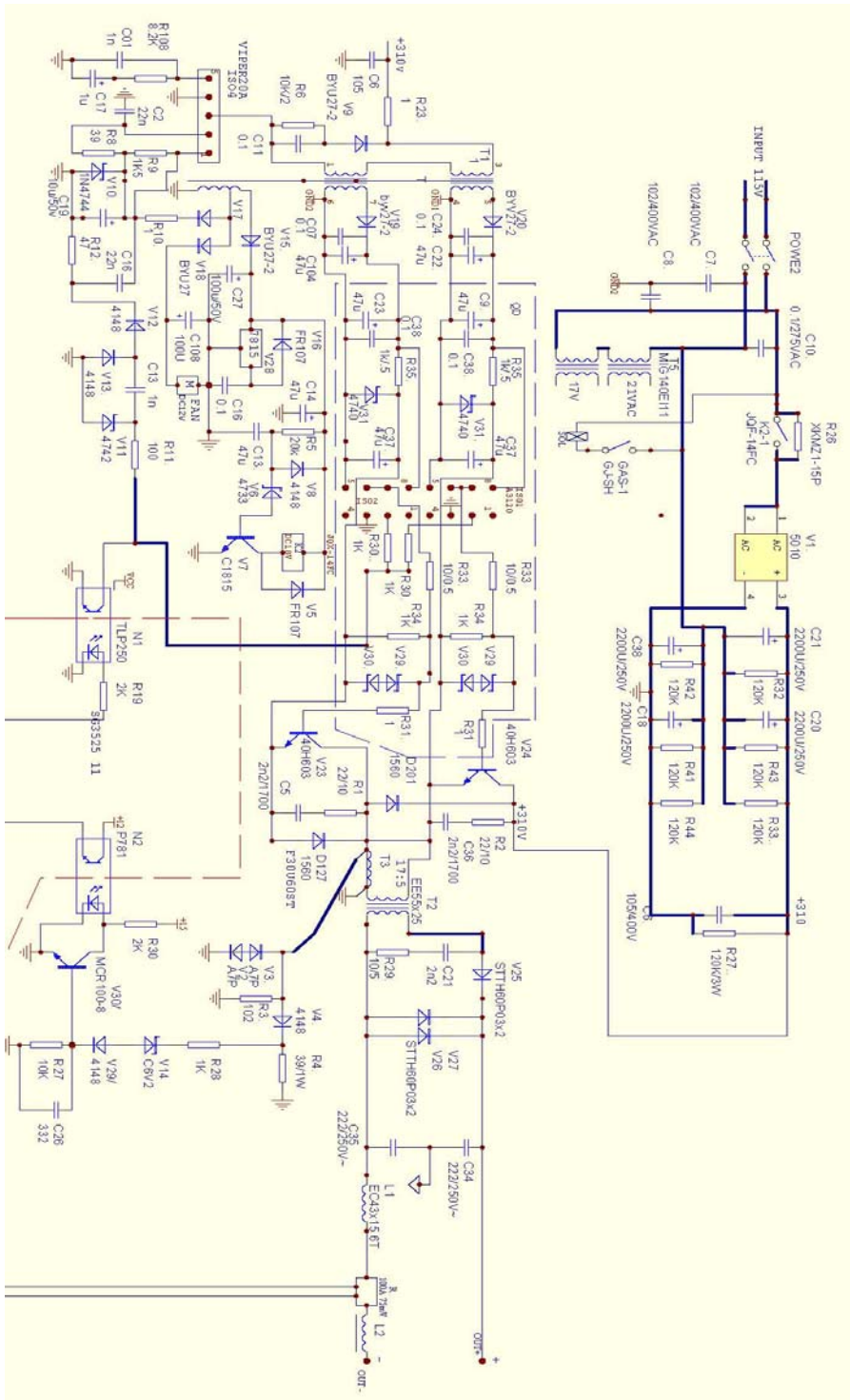
Step 3. RECOMMENDED COURSE OF ACTION (Solution) This column provides a course of action for the Possible Cause, generally it states to contact your local Authorized Field Service Facility. If you do not understand or are unable to perform the Recommended Course of Action safely, contact your local Authorized Field Service Facility.

 **CAUTION**

If for any reason you do not understand the test procedures or are unable to perform the tests/repairs safely, contact your Local Authorized Field Service Facility for technical troubleshooting assistance before you proceed.

Observe all Safety Guidelines detailed throughout this manual

NO.	Trouble		Possible Cause	Solution
1	Unit is switched on, but the power light isn't on		Switch damaged	Replace
			Circuit breaker tripped or unit unplugged	Reset breaker, plug in unit.
2	After welding machine is overheating and the fan does not work		Fan damaged or jammed	Check fan shroud housing and wire protective guard for damage
			Fan power connector is loose	Check for dislodged connector
3	When torch switch is pressed, no gas flows		No gas in the gas cylinder/ Regulator or cylinder valved closed	Replace/Refill cylinder / Open valve
			Gas line leaks	Check line with soapy water
			Gas solenoid valve damaged	Check and clean/replace
			Torch switch damaged	Repair or Replace
			Control circuit damaged	Inspect the circuit
4	Wire-feeder does not work	Wire reel does not turn	Motor damaged	Check and Replace
			Wire feed selector turned to minimum setting, knob is loose or selector is damaged.	Check setting/Check knob/Replace potentiometer.
			Control circuit damaged	Check the board
	Wire reel turns or tries to turn intermittently	The tensioner is loose or wire slips on rollers	Increase tension	
		The drive roller does not fit the diameter of weld wire	Change roller or wire size to match	
		Wire Spool is damaged	Change out wire spool	
		Gun liner is jammed	Repair or change it, clear wire from liner/ clean liner with compressed air	
		Contact Tip is jammed because of slag or burn back	Clean or replace. If with Aluminum, increase tip size to next size.	
	5	No arc, or no output voltage		Work clamp not connected or cable is loose or Wire feeder power cable is loose or not connected
Control circuit damaged				Check the circuit
6	Welding stops, and warning light is on		Self-protection has engaged	Check over-voltage, over-current, over-temperature, lower-voltage and over-temperature. Allow unit to cool if overheated. Check power plug for problems
7	Welding Voltage/Current is uncontrollable		Potentiometer damaged	Repair or Replace it
			The control circuit damaged	Check the circuit



NOTE: This diagram is for reference only. It may not be accurate for all machines covered by this manual. If the diagram is illegible, write to the Service Department for a replacement. Give the equipment code number.

Appendix

FACTORY INSTALLED OPTIONS

PACKING LIST

★ ★★★

ProMig 140 Welding machine	1		
cable+Ground pliers	1		
MIG welding torch	1		
Spool welding torch(QLBT 8m)	1	optional accessory	
Operation instructions	1		
Certificate of quality	1		

No. _____

Certificate of quality

Name of product: MIG/MAG Semi-auto ARC Welding Machine

Type of product: ProMig 140

Packing No: _____

Test results of this welder fulfils _____

_____ technical requirements and its release from the works is granted.

Inspector _____ **Date** _____

WARNING	<ul style="list-style-type: none"> ● Do not touch electrically live parts or electrode with skin or wet clothing. ● Insulate yourself from work and ground. 	<ul style="list-style-type: none"> ● Keep flammable materials away. 	<ul style="list-style-type: none"> ● Wear eye, ear and body protection.
Spanish AVISO DE PRECAUCION	<ul style="list-style-type: none"> ● No toque las partes o los electrodos bajo carga con la piel o ropa mojada. ● Aíslese del trabajo y de la tierra. 	<ul style="list-style-type: none"> ● Mantenga el material combustible fuera del área de trabajo. 	<ul style="list-style-type: none"> ● Protéjase los ojos, los oídos y el cuerpo.
French ATTENTION	<ul style="list-style-type: none"> ● Ne laissez ni la peau ni des vêtements mouillés entrer en contact avec des pièces sous tension. ● Isolez-vous du travail et de la terre. 	<ul style="list-style-type: none"> ● Gardez à l'écart de tout matériel inflammable. 	<ul style="list-style-type: none"> ● Protégez vos yeux, vos oreilles et votre corps.
German WARNUNG	<ul style="list-style-type: none"> ● Berühren Sie keine stromführenden Teile oder Elektroden mit Ihrem Körper oder feuchter Kleidung! ● Isolieren Sie sich von den Elektroden und dem Erdboden! 	<ul style="list-style-type: none"> ● Entfernen Sie brennbares Material! 	<ul style="list-style-type: none"> ● Tragen Sie Augen-, Ohren- und Körperschutz!
Portuguese ATENÇÃO	<ul style="list-style-type: none"> ● Não toque partes elétricas e electrodos com a pele ou roupa molhada. ● Isole-se da peça e terra. 	<ul style="list-style-type: none"> ● Mantenha inflamáveis bem guardados. 	<ul style="list-style-type: none"> ● Use proteção para a vista, ouvido e corpo.
Japanese 注意事項	<ul style="list-style-type: none"> ● 通電中の電気部品、又は溶材にヒフやぬれた布で触れないこと。 ● 施工物やアースから身体が絶縁されている様にして下さい。 	<ul style="list-style-type: none"> ● 燃えやすいものの側での溶接作業は絶対にしてはなりません。 	<ul style="list-style-type: none"> ● 目、耳及び身体に保護具をして下さい。
Chinese 警告	<ul style="list-style-type: none"> ● 皮肤或湿衣物切勿接触带电部件及焊条。 ● 使你自已与地面和工作件绝缘。 	<ul style="list-style-type: none"> ● 把一切易燃物品移离工作场所。 	<ul style="list-style-type: none"> ● 佩戴眼、耳及身体劳动保护用具。
Korean 위험	<ul style="list-style-type: none"> ● 전도체나 용접봉을 젖은 형갑 또는 피부로 절대 접촉치 마십시오. ● 모재와 접지를 접촉치 마십시오. 	<ul style="list-style-type: none"> ● 인화성 물질을 접근시키지 마십시오. 	<ul style="list-style-type: none"> ● 눈, 귀와 몸에 보호장구를 착용하십시오.
Arabic تحذير	<ul style="list-style-type: none"> ● لا تلمس الاجزاء التي يسري فيها التيار الكهربائي أو الألكترود بجسد الجسم أو بالملابس المبللة بالماء. ● ضع عازلا على جسمك خلال العمل. 	<ul style="list-style-type: none"> ● ضع المواد القابلة للاشتعال في مكان بعيد. 	<ul style="list-style-type: none"> ● ضع أدوات وملابس واقية على عينيك وأذنيك وجسمك.

READ AND UNDERSTAND THE MANUFACTURER'S INSTRUCTION FOR THIS EQUIPMENT AND THE CONSUMABLES TO BE USED AND FOLLOW YOUR EMPLOYER'S SAFETY PRACTICES.

SE RECOMIENDA LEER Y ENTENDER LAS INSTRUCCIONES DEL FABRICANTE PARA EL USO DE ESTE EQUIPO Y LOS CONSUMIBLES QUE VA A UTILIZAR, SIGA LAS MEDIDAS DE SEGURIDAD DE SU SUPERVISOR.

LISEZ ET COMPRENEZ LES INSTRUCTIONS DU FABRICANT EN CE QUI REGARDE CET EQUIPMENT ET LES PRODUITS A ETRE EMPLOYES ET SUIVEZ LES PROCEDURES DE SECURITE DE VOTRE EMPLOYEUR.

LESEN SIE UND BEFOLGEN SIE DIE BETRIEBSANLEITUNG DER ANLAGE UND DEN ELEKTRODENEINSATZ DES HERSTELLERS. DIE UNFALLVERHÜTUNGSVORSCHRIFTEN DES ARBEITGEBERS SIND EBENFALLS ZU BEACHTEN.

			
<ul style="list-style-type: none"> ● Keep your head out of fumes. ● Use ventilation or exhaust to remove fumes from breathing zone. 	<ul style="list-style-type: none"> ● Turn power off before servicing. 	<ul style="list-style-type: none"> ● Do not operate with panel open or guards off. 	WARNING
<ul style="list-style-type: none"> ● Los humos fuera de la zona de respiración. ● Mantenga la cabeza fuera de los humos. Utilice ventilación o aspiración para gases. 	<ul style="list-style-type: none"> ● Desconectar el cable de alimentación de poder de la máquina antes de iniciar cualquier servicio. 	<ul style="list-style-type: none"> ● No operar con panel abierto o guardas quitadas. 	Spanish AVISO DE PRECAUCION
<ul style="list-style-type: none"> ● Gardez la tête à l'écart des fumées. ● Utilisez un ventilateur ou un aspirateur pour ôter les fumées des zones de travail. 	<ul style="list-style-type: none"> ● Débranchez le courant avant l'entretien. 	<ul style="list-style-type: none"> ● N'opérez pas avec les panneaux ouverts ou avec les dispositifs de protection enlevés. 	French ATTENTION
<ul style="list-style-type: none"> ● Vermeiden Sie das Einatmen von Schweißrauch! ● Sorgen Sie für gute Be- und Entlüftung des Arbeitsplatzes! 	<ul style="list-style-type: none"> ● Strom vor Wartungsarbeiten abschalten! (Netzstrom völlig öffnen; Maschine anhalten!) 	<ul style="list-style-type: none"> ● Anlage nie ohne Schutzgehäuse oder Innenschutzverkleidung in Betrieb setzen! 	German WARNUNG
<ul style="list-style-type: none"> ● Mantenha seu rosto da fumaça. ● Use ventilação e exaustão para remover fumo da zona respiratória. 	<ul style="list-style-type: none"> ● Não opere com as tampas removidas. ● Desligue a corrente antes de fazer serviço. ● Não toque as partes elétricas nuas. 	<ul style="list-style-type: none"> ● Mantenha-se afastado das partes moventes. ● Não opere com os painéis abertos ou guardas removidas. 	Portuguese ATENÇÃO
<ul style="list-style-type: none"> ● ヒュームから頭を離すようにして下さい。 ● 換気や排煙に十分留意して下さい。 	<ul style="list-style-type: none"> ● メンテナンス・サービスに取りかかる際には、まず電源スイッチを必ず切って下さい。 	<ul style="list-style-type: none"> ● パネルやカバーを取り外したまま機械操作をしないで下さい。 	Japanese 注意事項
<ul style="list-style-type: none"> ● 頭部遠離煙霧。 ● 在呼吸區使用通風或排風器除煙。 	<ul style="list-style-type: none"> ● 維修前切斷電源。 	<ul style="list-style-type: none"> ● 儀表板打開或沒有安全罩時不準作業。 	Chinese 警告
<ul style="list-style-type: none"> ● 얼굴로부터 용접가스를 멀리하십시오. ● 호흡지역으로부터 용접가스를 제거하기 위해 가스제거기나 통풍기를 사용하십시오. 	<ul style="list-style-type: none"> ● 보수전에 전원을 차단하십시오. 	<ul style="list-style-type: none"> ● 판넬이 열린 상태로 작동치 마십시오. 	Korean 위험
<ul style="list-style-type: none"> ● ابتعد رأسك بعيداً عن الدخان. ● استعمل التهوية أو جهاز ضغط الدخان للخارج لكي تبعد الدخان عن المنطقة التي تتنفس فيها. 	<ul style="list-style-type: none"> ● أقطع التيار الكهربائي قبل القيام بأية صيانة. 	<ul style="list-style-type: none"> ● لا تشغيل هذا الجهاز اذا كانت الاغطية الحديدية الواقية ليست عليه. 	Arabic تحذير

LEIA E COMPREENDA AS INSTRUÇÕES DO FABRICANTE PARA ESTE EQUIPAMENTO E AS PARTES DE USO, E SIGA AS PRÁTICAS DE SEGURANÇA DO EMPREGADOR.

使う機械や溶材のメーカーの指示書をよく読み、まず理解して下さい。そして貴社の安全規定に従って下さい。

請詳細閱讀並理解製造廠提供的說明以及應該使用的銀焊材料，並請遵守貴方的有閣勞動保護規定。

이 제품에 동봉된 작업지침서를 숙지하시고 귀사의 작업자 안전수칙을 준수하시기 바랍니다.

اقرأ بتمعن وافهم تعليمات المصنع المنتج لهذه المعدات والمواد قبل استعمالها واتبع تعليمات الوقاية لصاحب العمل.