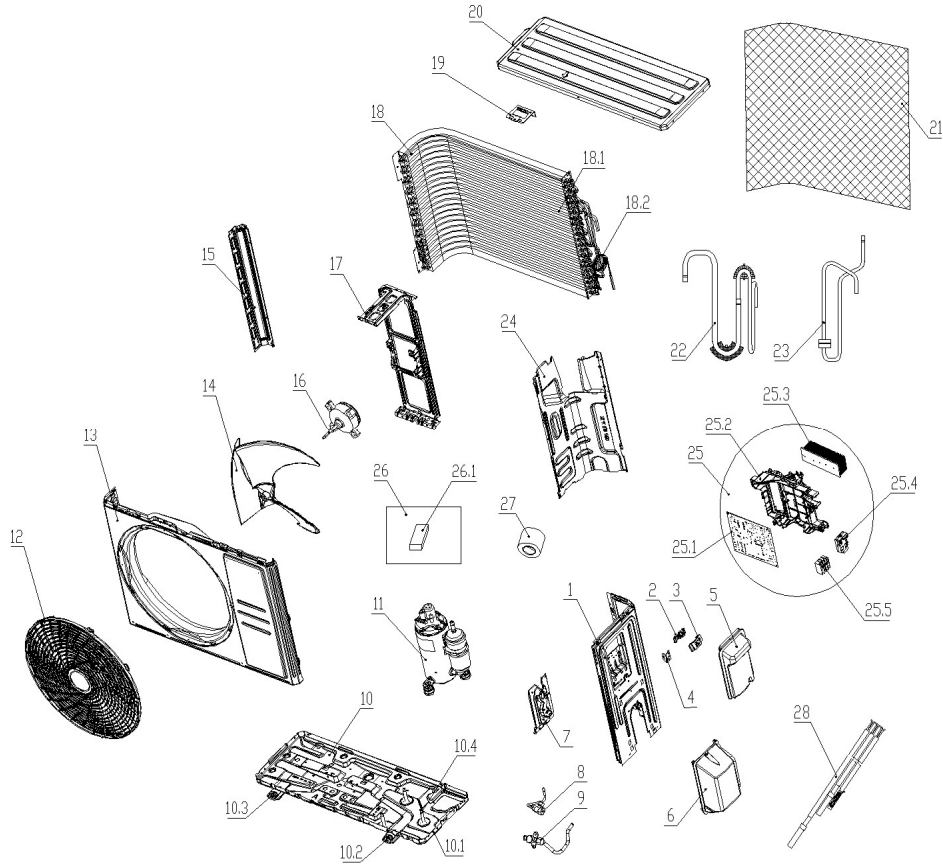


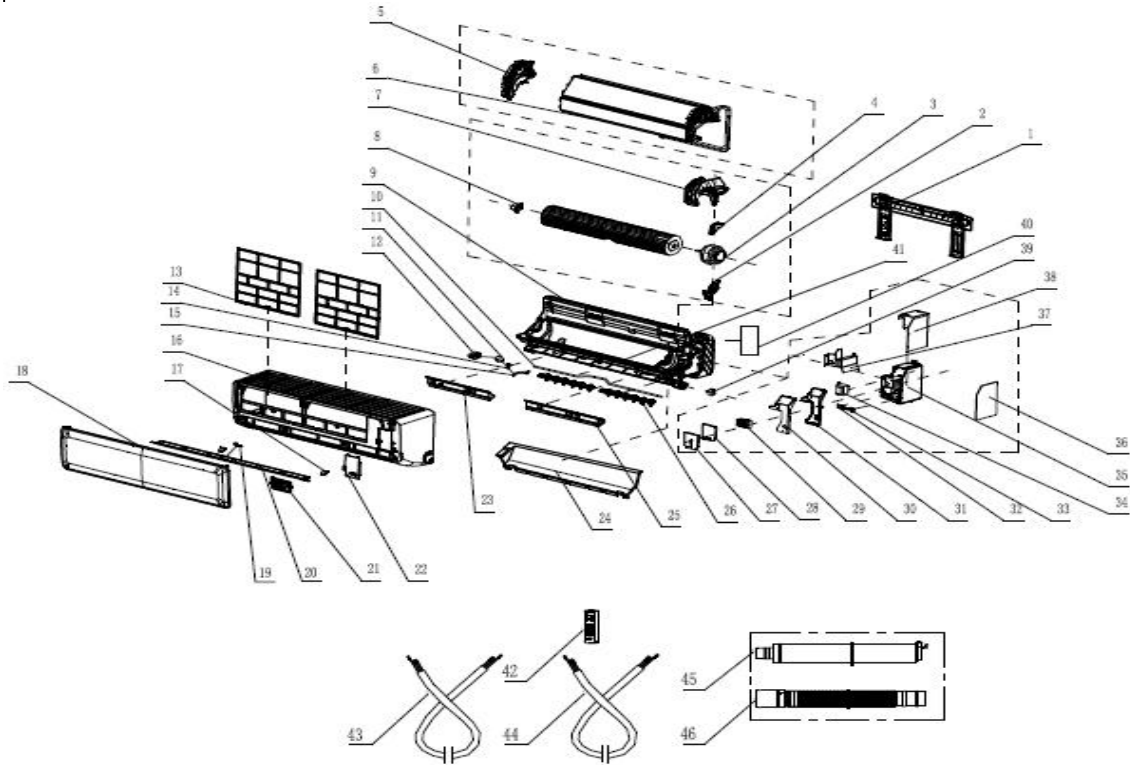
Repuestos aires carbone 18,000 BTU R32 Inverter

Unidad:	Unidad externa 18,000 BTU
Factory Model:	AS-18E3A2/*R3DI-C0
Product Code:	11104210000444.00
Power Supply:	208-230V~ 60Hz 1Phase



No.	Part Name	BOM Code
11	Compressor and accessories	11223004000041
16	motor	11230005000058
25	Main controller	11222004001194
25.1	Main control board	11222031001298
28	temperature sensor	11329013000118

Unidad:	Unidad interna split 18,000 BTU
Factory Model:	50C2/FA16UDI-1280D1
Product Code:	11103210000561.00
Power Supply:	208-230V~ 60Hz 1Phase



No.	Part Name	BOM Code
3	indoor fan motor	11230005000013
21	display board assembly	11222014000608
26	left-right swing blade	11320017000122
36	main PCB	11222009003986
39	step motor	11230002000071
42	Remote controller	11222001000112



This document was created with the Win2PDF "print to PDF" printer available at <http://www.win2pdf.com>

This version of Win2PDF 10 is for evaluation and non-commercial use only.

This page will not be added after purchasing Win2PDF.

<http://www.win2pdf.com/purchase/>